

NXB III 20XX Side Belt Nest

Manual No. 86-01-5120 05-2019

Notes, Warnings, and Cautions



This manual contains **Notes, Warnings and Cautions** in addition to the assembly instructions.

Notes: Provide additional comments to help with installation and set up.



CAUTIONS: Provide notification of situations that can cause damage to machinery and tools.



WARNINGS! Provide alerts to situations that can cause personal injury or death.

Please take the time to read and understand this manual before beginning assembly. **CAREFULLY FOLLOW THE SAFETY AND OPERATING INSTRUCTIONS in this manual.**

Observe the following precautions when working on or near the machinery:

- Understand the limitations and hazards associated with operating this equipment before using.
- Wear appropriate eye protection when assembling and using this equipment .
- Do not wear loose clothing, jewelry, etc.
- Keep sleeves rolled above the elbows.
- Confine long hair.
- Always wear approved protective footwear.

MAKE SURE ALL PERSONNEL UNDERSTAND THE POTENTIAL DANGER of someone getting too close or trying to make repairs or adjustments while the machine is running. This equipment has several **AREAS WHERE INJURIES COULD OCCUR IF GUARDS OR COVERS ARE REMOVED. KEEP ALL COVERS AND GUARDS IN PLACE WHILE EQUIPMENT IS IN OPERATION.**

Observe the following precautions when servicing the machinery:

- Do not remove guards except when performing maintenance.
- Do not operate the machine with guards or covers removed.
- When performing maintenance or repairs make sure the local control switch is **OFF** and the main power control panel is **OFF** and tagged “**DO NOT OPERATE.**”
- Make all adjustments with the power **OFF**.
- **NEVER** reach into the machine while the system is operating, keep hands out of the machine chain and belt areas. Keep all guards and covers in place when power is on.
- Work carefully and give the work you are doing your undivided attention. Do not look away, talk or play around. Careless acts can cause **SERIOUS INJURY.**

Contents

NOTES, WARNINGS, AND CAUTIONS 2

TOOLS NEEDED 6

1 MAJOR NEST SYSTEM COMPONENTS 7

2 NEST NXB III (NEXT BREEDER) SIDE BELT (SB) 8

2.1 Passages, End Set, Table Drive & Egg Belt 9

2.1.1 Passages 9

2.1.2 End Set 9

2.1.3 Idler 9

2.1.4 Table Drive 9

2.1.5 Egg Belts 9

2.1.6 Additional Accessories 9

3 NXB III SIDE BELT NEST SECTION COMPONENTS - OVERVIEW 10

STEP 1 ATTACH COVER (LONG) TO PARTITIONS 12

Step 1.1 Attach Cover (Long) to Partitions - Detail 13

STEP 2 ATTACH PARTITIONS TOGETHER 15

STEP 3 RIVET ANTI-ROOST CLIPS ONTO COVER (COVER SHORT) 16

STEP 4 ATTACH COVER (COVER LONG AND COVER SHORT) 17

STEP 5 ATTACH EGG BELT RETURN BRACKETS TO FRONT EGG BELT ROLLOUT 18

STEP 6 INSTALL ROLLOUT ASSEMBLY 19

STEP 7 ATTACH METAL PARTITIONS - (4) PLACES 20

STEP 8 INSTALL METAL PARTITIONS ASSEMBLY 21

STEP 9 RIVET COVER FRONT TO THE EGG BELT RETURN GUIDE 22

STEP 10 ATTACH THE PERCH TO THE COVER 23

STEP 11 RIVET HINGES TO COVER AND HINGED FRONT 24

STEP 12 RIVET EGG SHIELD STOP BRACKET AND SLIDE IN EGG SHIELD 25

STEP 13 INSTALL NEST CLOSURE RODS, PLASTIC PLUGS, TRACTION ROPES 26

STEP 14 SLIDE IN (4) 5MM RODS AND RIVET ALUMINUM SLEEVES..... 27

STEP 15 DROP IN WIRE MESH - BEND TABS OVER TO HOLD IN PLACE 28

STEP 16 INSTALL WIRE MESH BOTTOMS AND NEST PADS 29

STEP 17 SNAP ON ANTI-ROOST ROCKER..... 30

STEP 18 JOIN (2) 8 FOOT NEST BANKS 31

STEP 19 IDLER NXB III 2020 END ASSEMBLY 32

 Step 19.1 Idler NXB III 2020 End Assembly - continued 34

STEP 20 CONNECTION SET (TABLE DRIVE) 36

STEP 21 EGGTRAX CONNECTION (IF SUPPLIED)..... 38

22 PASSAGEWAYS..... 40

 22.1 Passageways 41

STEP 23 TABLE DRIVE UNIT 42

STEP 24 INSTALLING THE EGG BELT 44

 24.1 Threading in the egg belt..... 44

 23.2 Release the belts between flocks - TO PREVENT DAMAGE! 46

25 FIXING AT THE SUSPENSION SYSTEM 48

 25.1 Fixing the Ropes at the Nest 48

 25.2 Sizes for the Ceiling Fastening 50

26 NXB III SIDE BELT TABLE TOP DIMENSIONS - TOP VIEW AND FRONT VIEW 52

27 NOTES FOR NEST MANAGEMENT 54

 27.1 Operation of the table drive..... 54

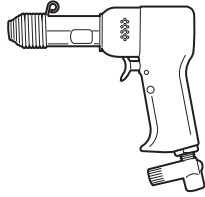
 27.2 Further suggestions to further reduce the number of floor eggs 54

 27.3 Cleanliness of the nest system..... 55

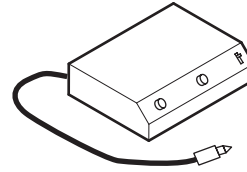
INDEX 56

Tools Needed

The tools shown below are recommended for assembly of the nest system.



**Pneumatic
Rivet Gun**



Sonic Welder

1 Major Nest System Components

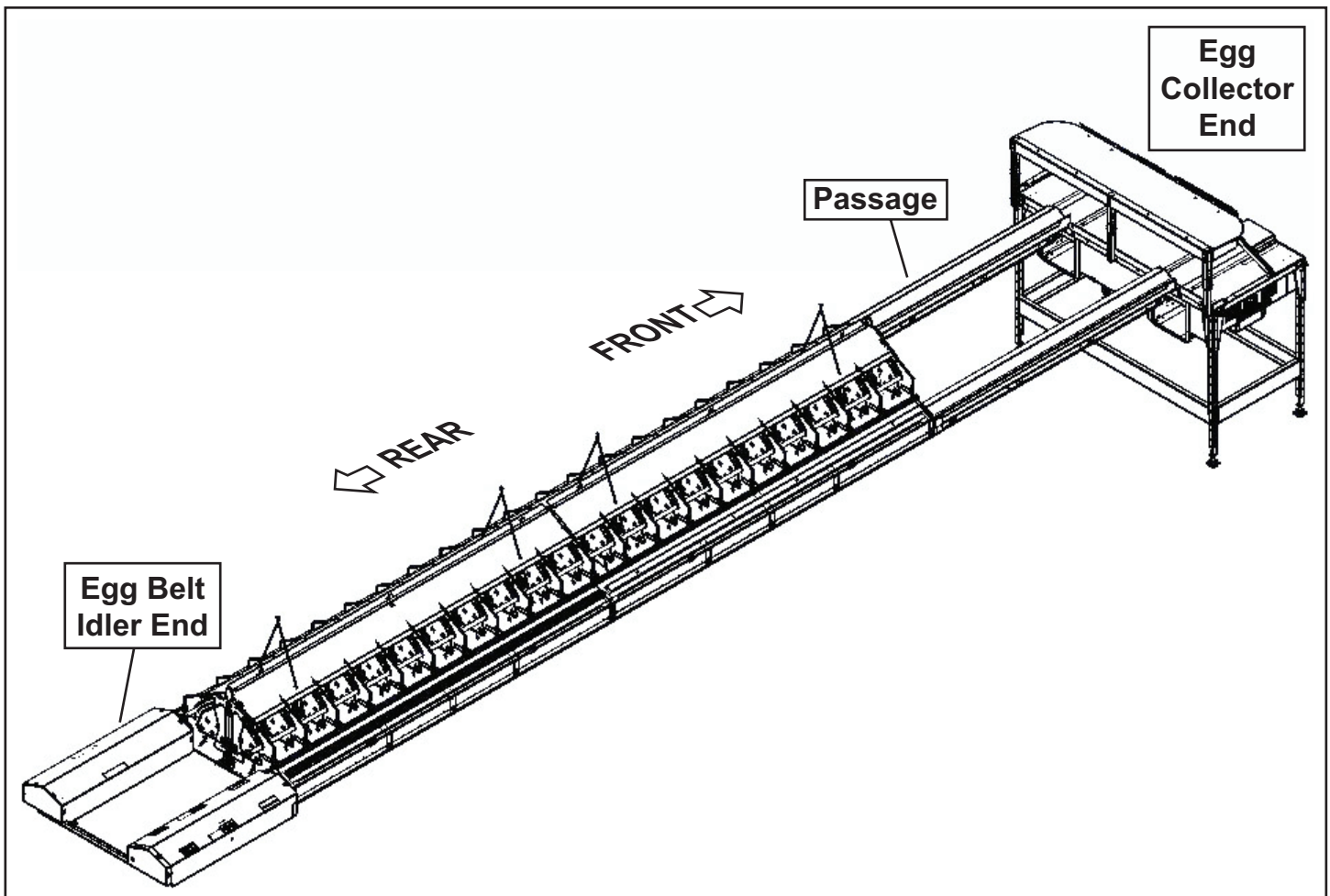
For reference purposes, listed below are the Major Components of the **Big Dutchman NXB III Side Belt Nest System Assembly**.



The Egg Collection End of the system is referred to as the **FRONT END** of the system.

The Egg Belt Idler End of the System is referred to as the **REAR END** of the system.

Refer to the drawing below.

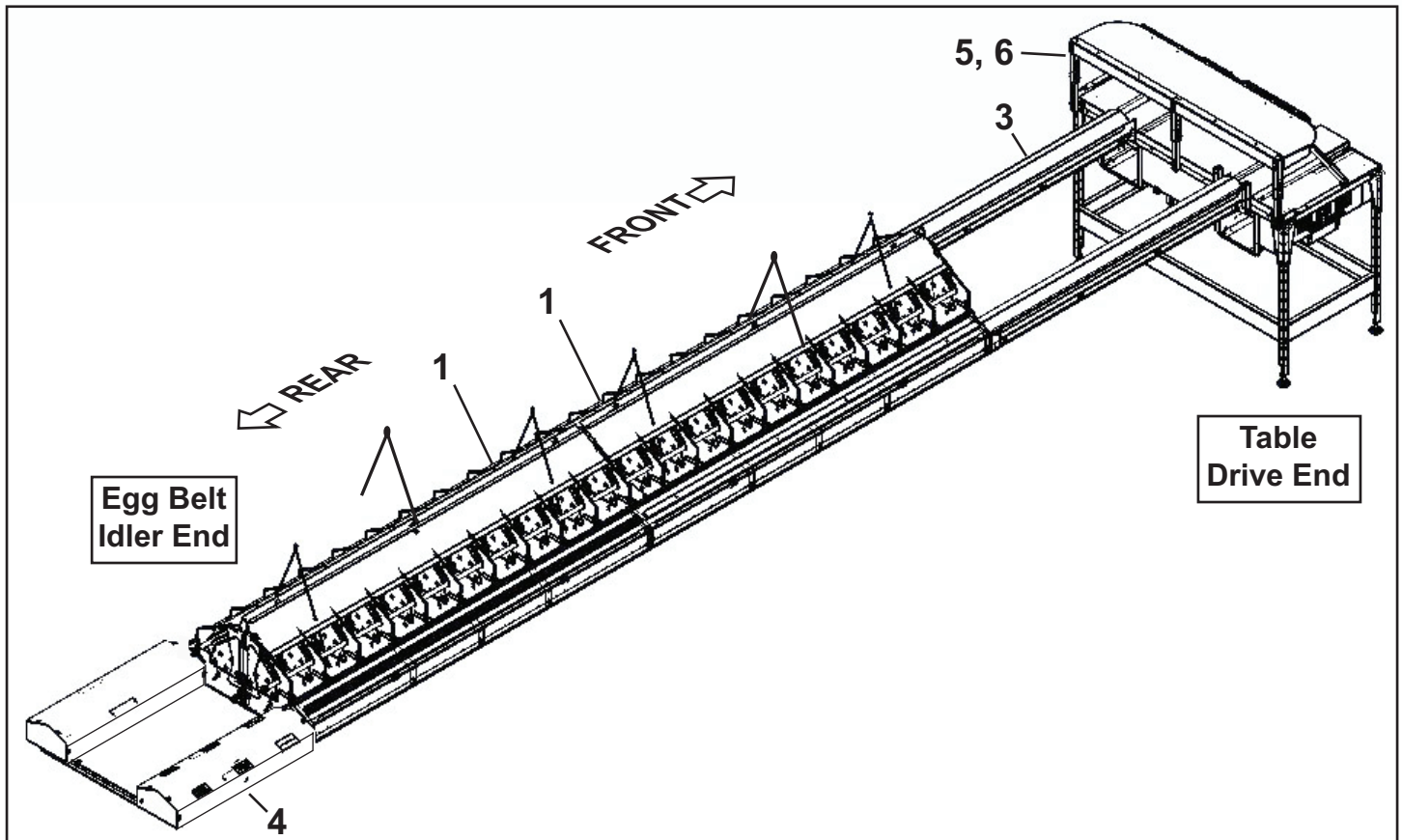


Chapter 1. Overview of the NXB III Side Belt Nest System Components.

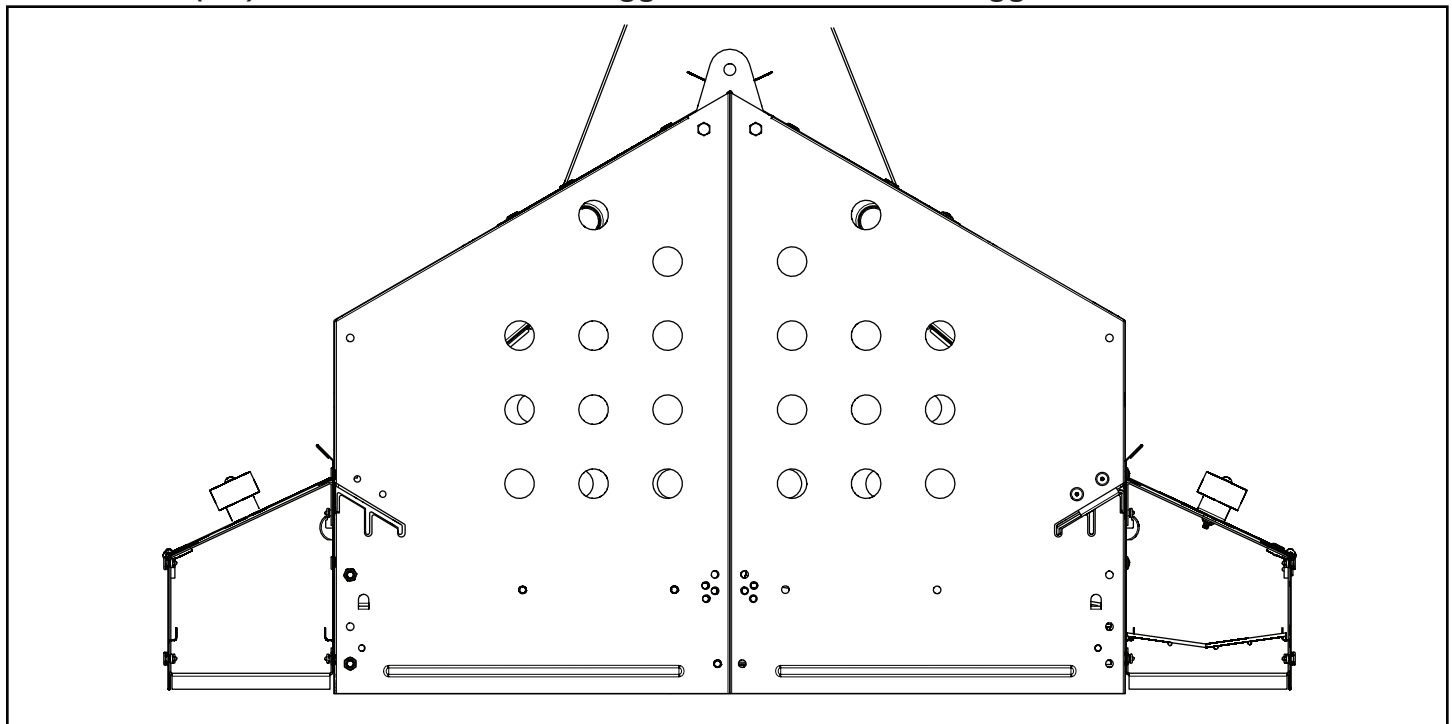


Also this instruction shows the assembly for the Passageways, Egg Belt Idler and Egg Collector Table.

2 Nest NXB III (Next Breeder) Side Belt (SB)



2.1 Sidebelt (SB) nest with sheet metal egg channel and woven egg belt



2.2 Side Belt Nest End View.

Pos.	Part No.	Description
1	86-01-4075	NEST NXB-3 US 2020P 2438MM [95.98"] 2 SIDES F/5" PLASTIC BELT
	86-01-4160	NEST NXB-3 US 2018P 2438MM [95.98"] 2 SIDES F/5" PLASTIC BELT
	86-01-4165	NEST NXB-3 US 2016P 2438MM [95.98"] 2 SIDES F/5" PLASTIC BELT

2.1 Passages, End Set, Table Drive & Egg Belt

2.1.1 Passages

Pos.	Part No.	Description
2	86-01-4120	Passage 18 inch NXB-3 20xx W/SST Covers
	86-01-4121	Passage 24inch NXB-3 20xx W/SST Covers
	86-01-4122	Passage 30inch NXB-3 20xx W/SST Covers
	86-01-4123	Passage 36inch NXB-3 20xx W/SST Covers
	86-01-4124	Passage 48inch NXB-3 20xx W/SST Covers
	86-01-4125	Passage 60inch NXB-3 20xx W/SST Covers
	86-01-4126	Passage 72inch NXB-3 20xx W/SST Covers

2.1.2 End Set

Pos.	Part No.	Description
3	86-01-4152	CONNECTION SET (COLLECTOR END) 72" NXB-3,20XX, F/5INCH BELT

2.1.3 Idler

Pos.	Part No.	Description
4	86-01-4151	IDLER NXB-3 20XX F/5INCH BELT UNASSEMBLED, IN CARTON

2.1.4 Table Drive

Pos.	Part No.	Description
5	86-00-1568	TABLE DRIVE UNIT NXB II-US SB,F/5" (WOVEN OR PLASTIC) BELT, W/ WIRING

2.1.5 Egg Belts

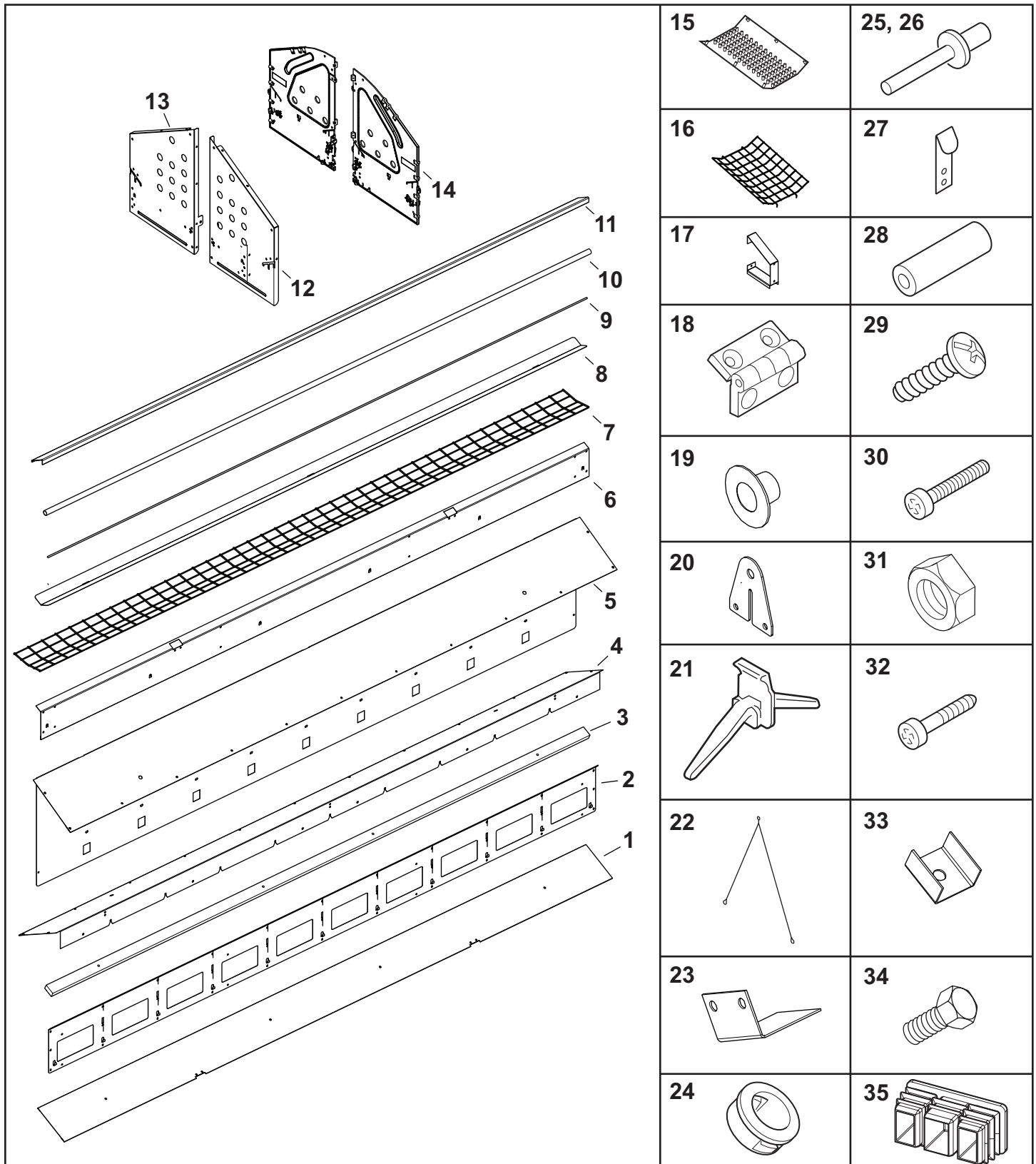
Pos.	Part No.	Description
6	86-01-2450	BELT,PLASTIC,4-7/8"W,820'L,BLACK,(124mm),part #83154138 x 250M
	86-01-2451	BELT,PLASTIC,4-7/8"W,1020'L,BLACK,(124mm),part #83154138 x 311M
	86-01-2452	BELT,PLASTIC,4-7/8"W,1220'L,BLACK,(124mm),part #83154138 x 372M

2.1.6 Additional Accessories

Pos.	Part No.	Description
1	99-98-3896	Welder ultrasonic US-HSK 230/240V 50/60Hz cpl
2	99-98-3897	Welder ultrasonic US-HSK 110V 50/60Hz cpl
3	86-01-1683	LIGHT 12" NXB TABLE W/8FT CORD
4	65-13-4277	PT DRIVE,1' MACHINE,60RPM,W/CHAIN AND SPROCKET,120V, 1PH,60HZ

3 NXB III Side Belt Nest Section Components - Overview

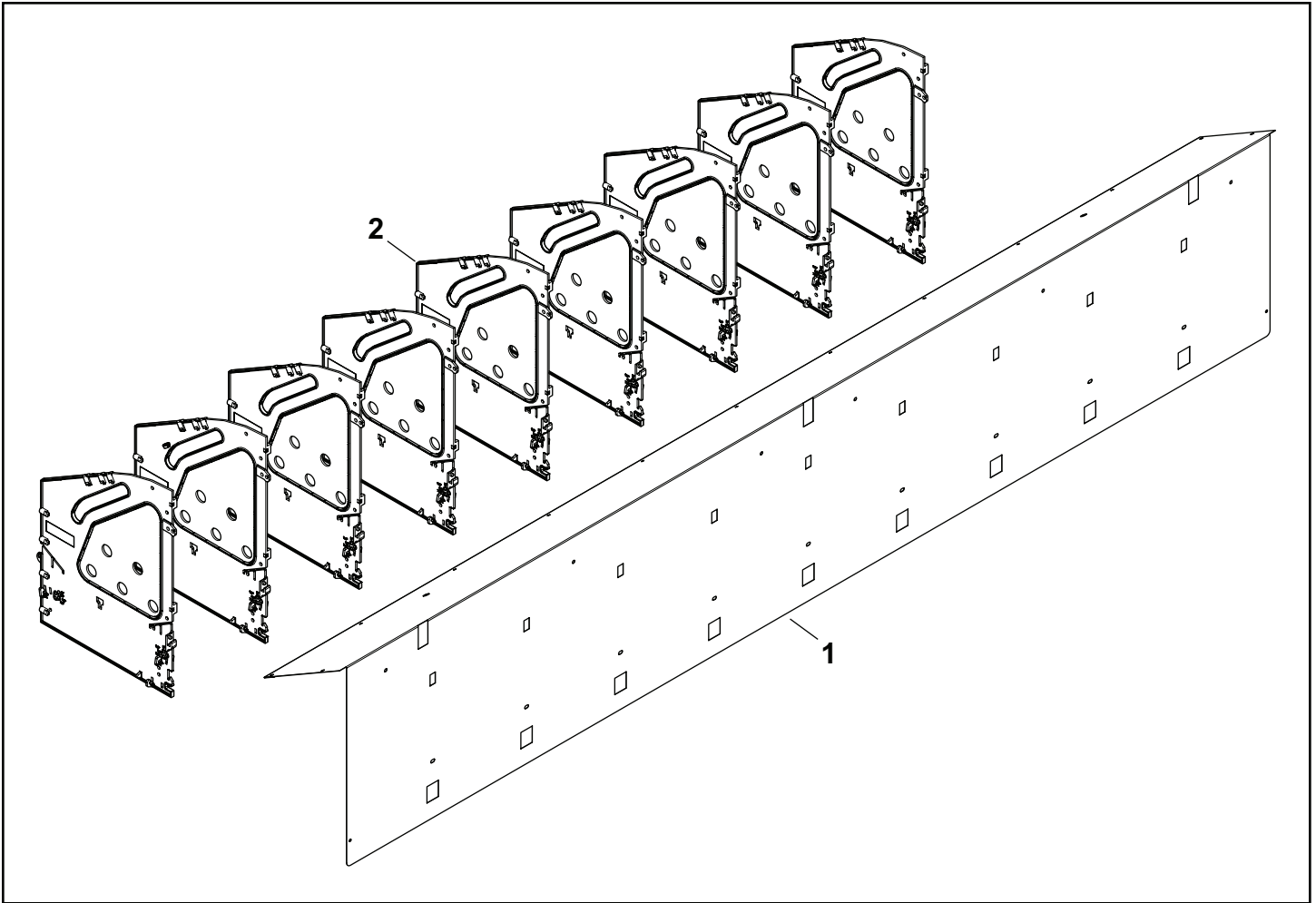
These pages show individual parts for the **Big Dutchman NXB III 2000 Side Belt Nest**. Refer to the following Chapters for details for installation of the parts shown.



Chapter 2.3. NXB III Side Belt Nest Section Components.

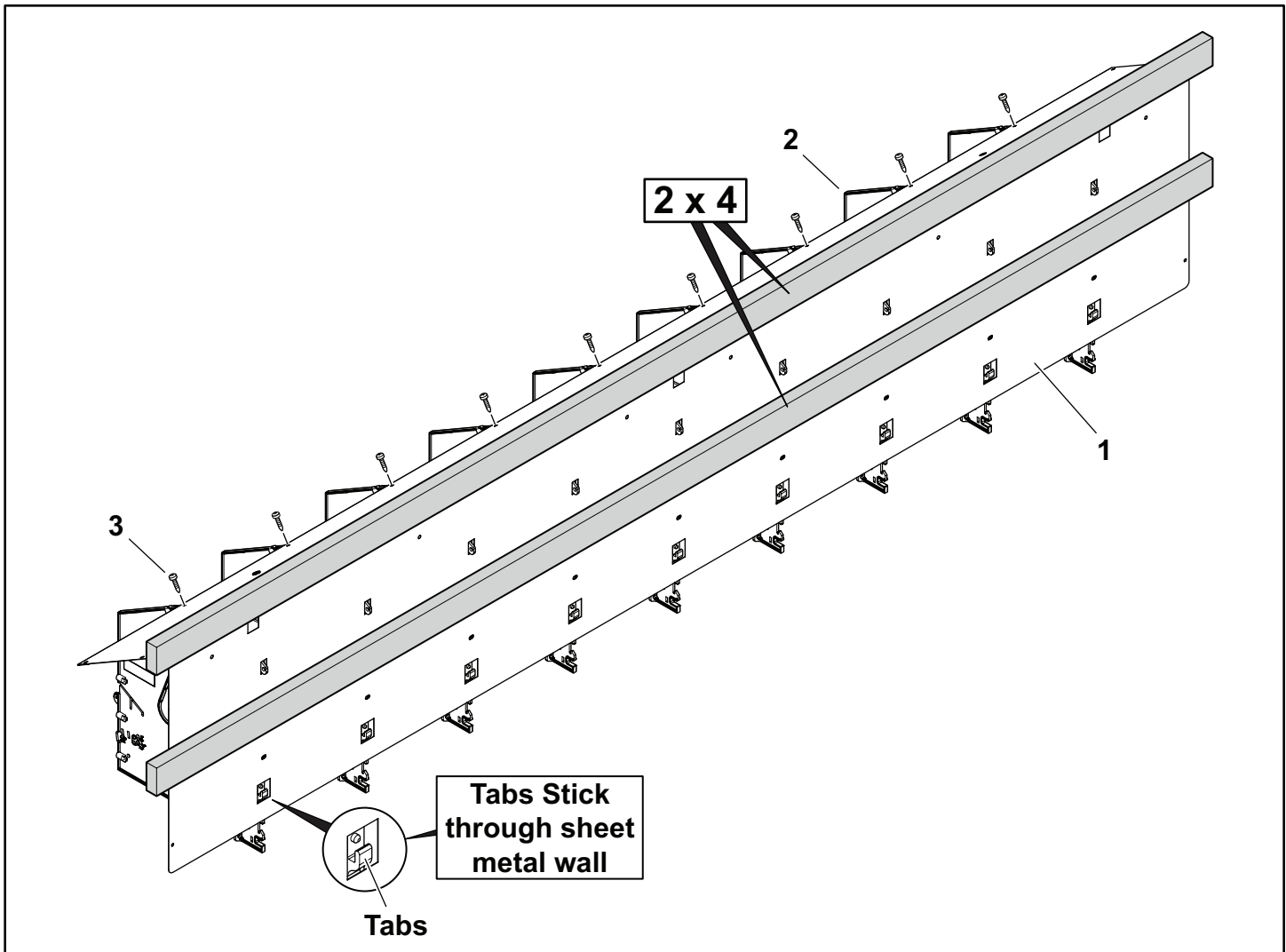
Item	Part No.	QTY.	Description
1	86-01-4096	2	Hinged Cover Egg Belt NXB-3 20xx
2	86-01-4068	2	FRONT RAIL ROLLOUT HOLES NXB-3 2020
	86-01-4157	2	FRONT RAIL ROLLOUT HOLES NXB-3 2018
	86-01-4168	2	FRONT RAIL ROLLOUT HOLES NXB-3 2016
3	86-01-0676	2	PERCH UNIVERSAL NXB II 94"
	83-14-2776	2	Perch 40x20-2400 PVC NXB-II-20xxW
4	86-01-4067	1	COVER SHORT NXB-3 2020
	86-01-4154	1	COVER SHORT NXB-3 2018
	86-01-4166	1	COVER SHORT NXB-3 2016
5	86-01-4066	1	COVER LONG NXB-3 2020
	86-01-4156	1	COVER LONG NXB-3 2018
	86-01-4167	1	COVER LONG NXB-3 2016
6	86-01-4095	2	Cover Front Egg Belt NXB-3
7	86-01-1675	2	Wire Mesh 5 inch egg belt 96 NXB20000P
8	86-01-4117	1	ANTI ROOST ROCKER SYM NXB-3 WIDE
9	86-01-2672	2	94.3x.197 inch dia rod
10	86-01-2675	2	TUBE,FLO COAT 0.706"OD X 95.25',19GA GALV.
11	86-01-4098	2	Egg Shield Slide In, Black, NXB-3 8ft
12	86-01-4064	2	Partition, Galv, LH NXB-3 20xx
13	86-01-4065	2	Partition, Galv, RH NXB-3 20xx
14	86-01-4037	18	PARTITION NXB II UNIV 11 DEG ROLLOUT
15	86-01-2663	20	NEST PAD, DIRECTIONAL,NXB F/WIRE BOTTOM 9.6X13.17
	86-01-2323	20	NEST PAD,DIRECTIONAL,NXB 2018,11"x13.25"
	86-01-2325	20	NEST PAD,DIRECTIONAL,NXB 2016,12.08"x13.10"
16	83-04-8934	20	Wire mesh nest insert NXB 20h
	83-05-6496	20	Wire mesh nest insert (ZnAl-A) NXB 18h
	83-05-6500	20	Wire mesh nest insert (ZnAl-A) NXB 16h
17	86-01-4089	8	Egg Belt Return Bracket NXB2000
18	83-07-7973	4	Hinge 40x40 for egg channel NXB SB
19	83-13-7506	4	Plug universal protection GPN 620 U 13 B black
20	86-01-4073	1.5	Winch Bracket NXB-3 20xx
21	83-05-0715	18	Binder for nest insert NXB
22	83-03-3797	2	Traction rope nest blockere for NXB
23	86-01-4074	4	Egg Shield Stop Bracket NXB-3
24	83-05-3092	4	Opening for rope NXB
25	86-01-3528	8	BLIND RIVET 3/16 X .575
26	99-10-1271	80	Blind Rivet alu/steel flat round head 4.8x10
27	86-01-1015	3	Anti Roost Clip
28	86-01-2674	8	3/16 button stop x 1.5 inch aluminum
29	99-10-1064	85	Plastofast screw for plastic material 4.0x16
30	86-01-5348	8	SCREW,M6X45 PAN HEAD PHILLIP GALV
31	99-20-1043	8	Self-locking counter nut M6 galv
32	99-10-1428	10	Screw Ejoy delta PT 4.0x25/19-R for plastic
33	86-00-9721	8	PERCH BRACKET,NXB II,SB
34	99-10-1100	8	Hexagon head screw M6x12 DIN
35	83-16-7123	4	Lamellar plug with fins f/perch 40x20mm NXB-II

Step 1 Attach Cover (Long) to Partitions



The maximum speed of the cordless screwdriver for inserting the Plastofast screws into the plastic partitions is **400 rpm!**

Step 1.1 Attach Cover (Long) to Partitions - Detail

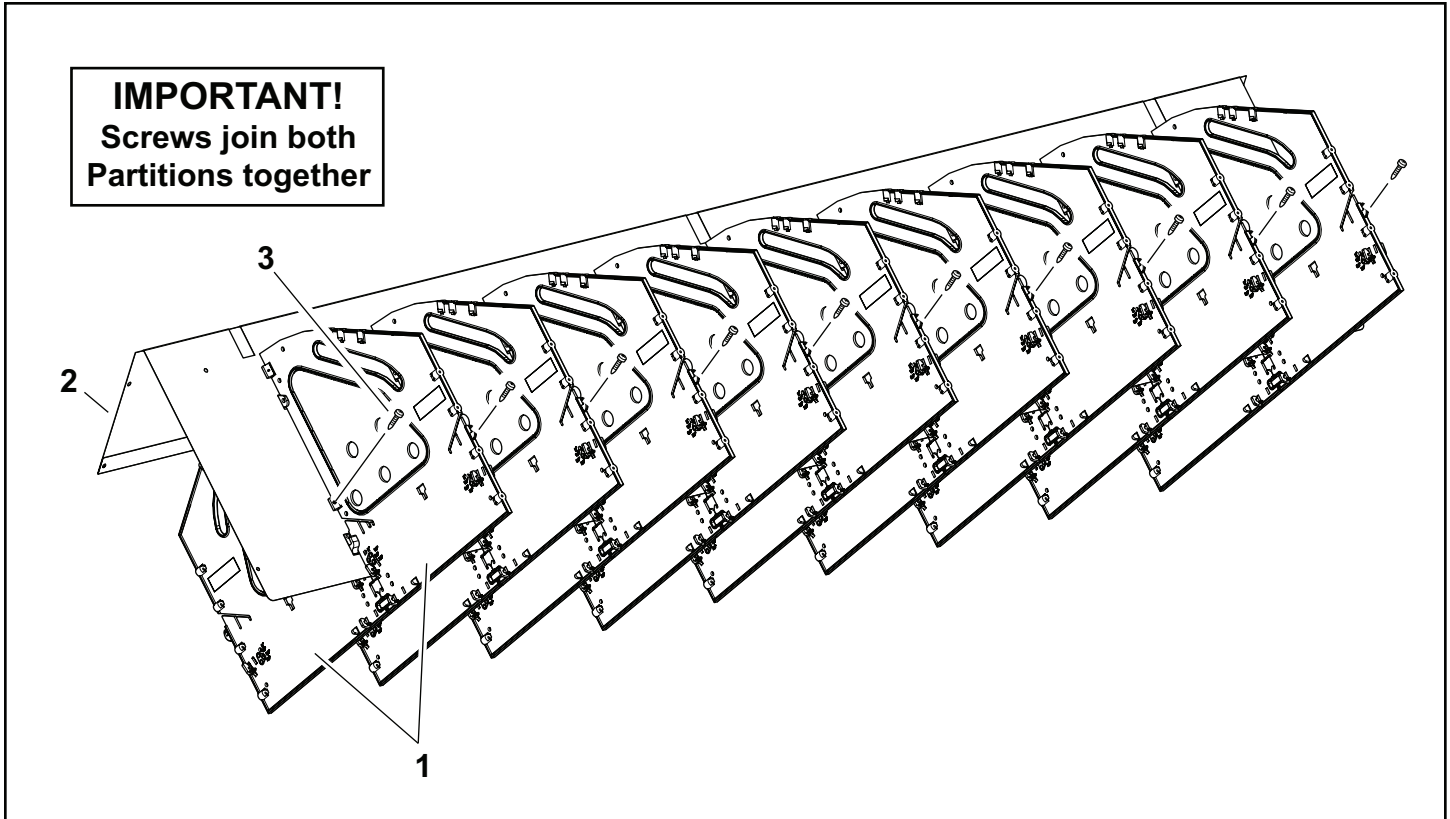


Step 1. Place Cover Long (P/N 1) on top of (2) 2 x 4 boards to create space for the Partition tabs to go through holes before screwing Partitions (P/N 2) to Cover Long.

Step 2. Screw Partitions (P/N 2) to Cover Long (P/N 1).

Pos.	Qty.	Part No.	Description
1		86-01-4066	COVER LONG NXB-3 2010
2		86-01-4037	PARTITION NXB II UNIV W/11 DEG ROLLOUT
3		99-10-1064	Plastofast screw for plastic material 4.0x16

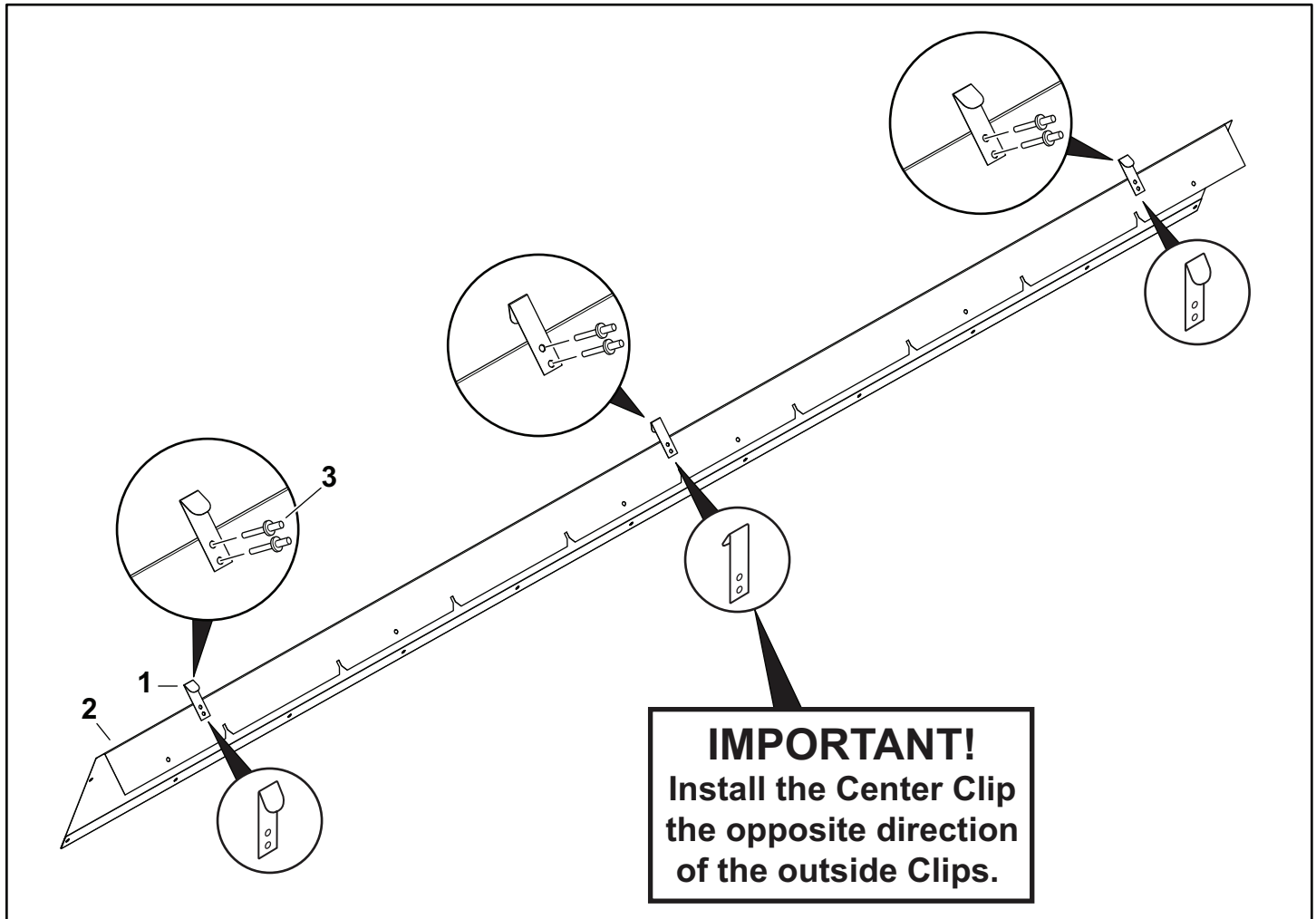
Step 2 Attach Partitions Together



Screw (9) Partitions together using the screws that go in on the 45° angle.
NOTE: the screws join both Partitions together.

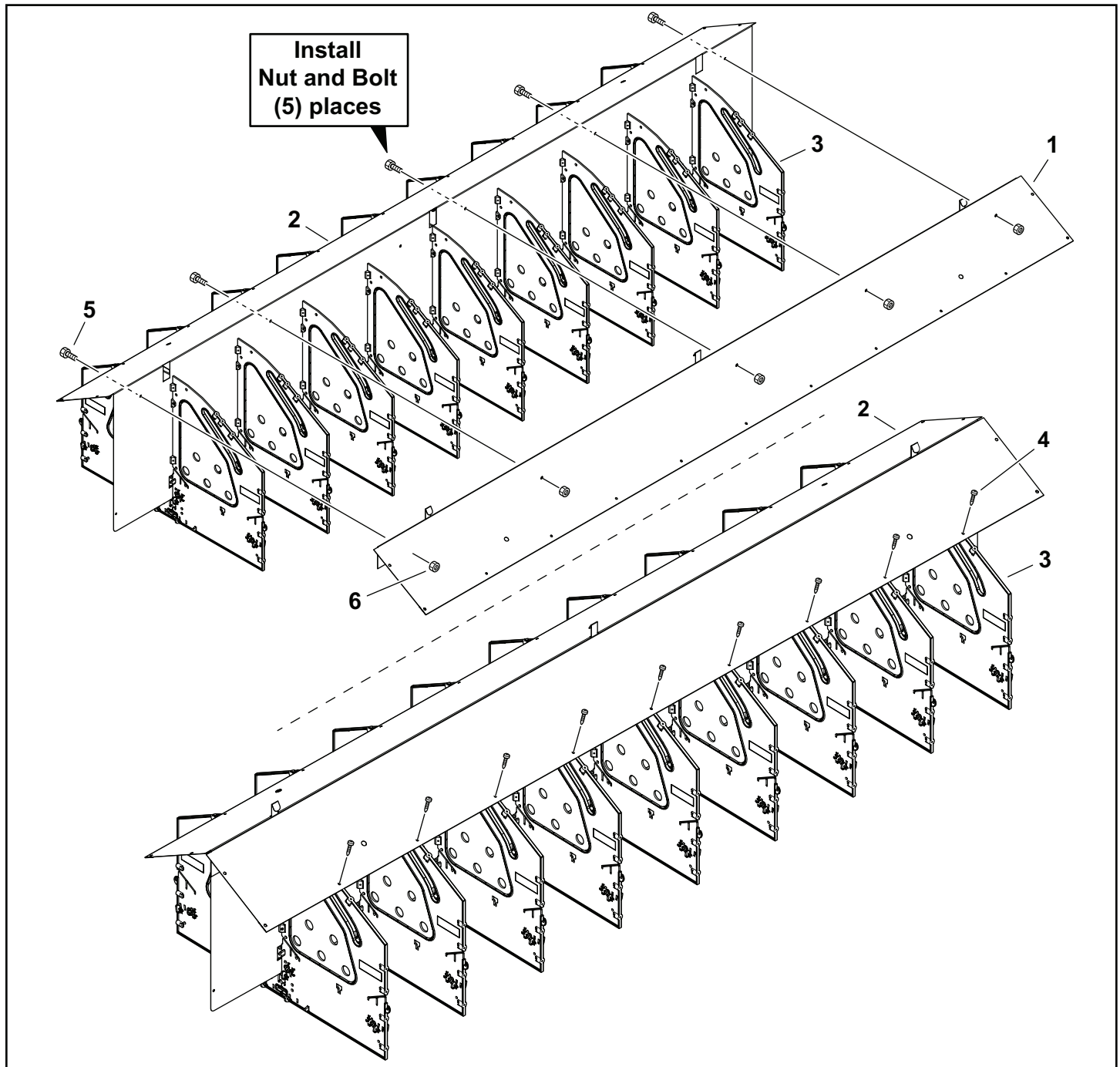
Pos.	Qty.	Part No.	Description
1	9	86-01-4037	PARTITION NXB II UNIV W/11 DEG ROLLOUT
2	1	86-01-4066	COVER LONG NXB-3 2020
	1	86-01-4156	COVER LONG NXB-3 2018
	1	86-01-4167	COVER LONG NXB-3 2016
3	9	99-10-1428	Screw Ejet delta PT Z 4.0x25/19-R for plastic

Step 3 Rivet Anti-Roost Clips onto Cover (Cover Short)



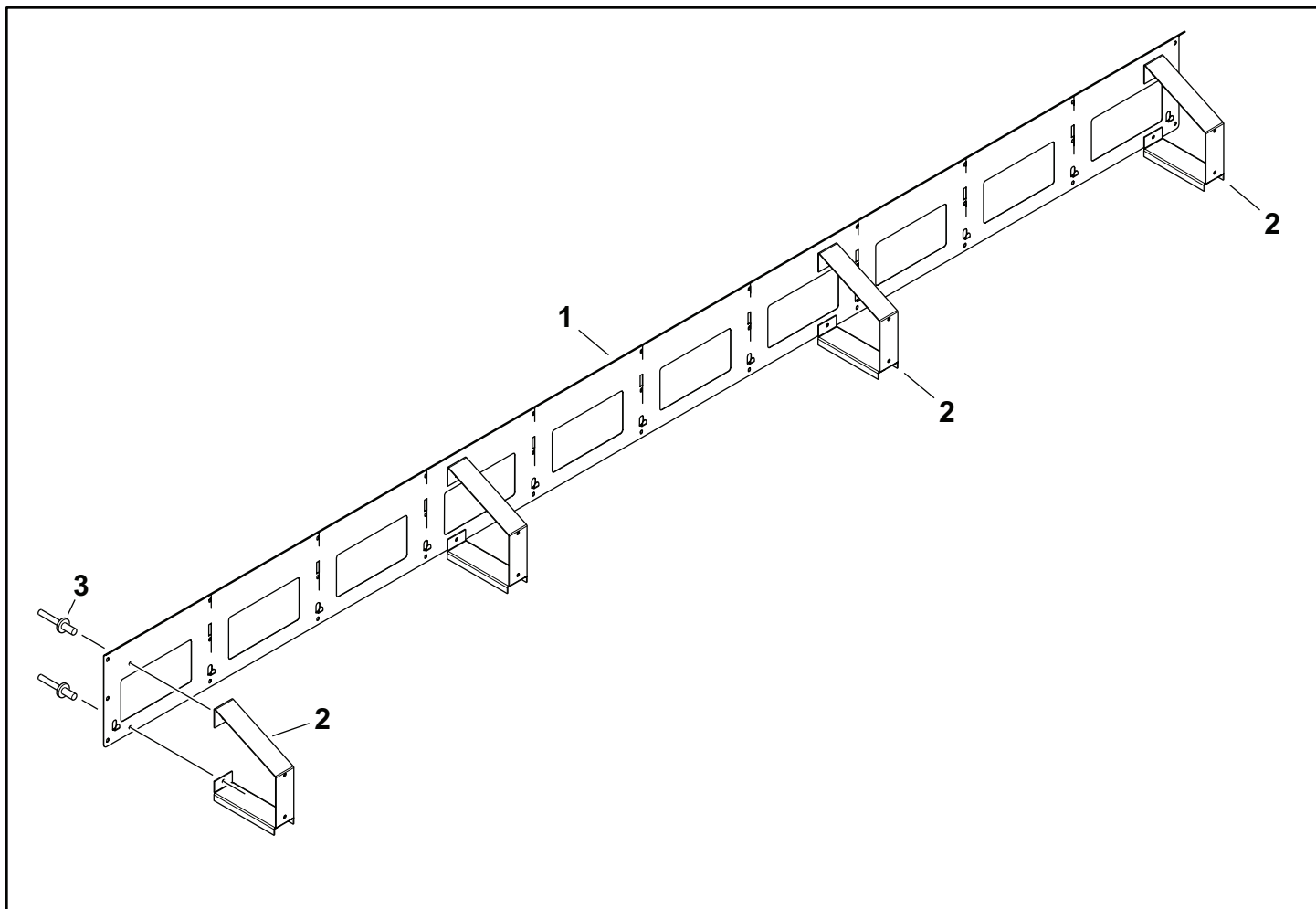
Pos.	Qty.	Part No.	Description
1	3	86-01-1015	ANTI-ROOST CLIP NXB
2	1	86-01-4067	COVER SHORT NXB-3 2020
	1	86-01-4154	COVER SHORT NXB-3 2018
	1	86-01-4166	COVER SHORT NXB-3 2016
3		99-10-1271	Blind rivet alu/steel flat round head 4.8x10 / 4.0-6.0mm

Step 4 Attach Cover (Cover Long and Cover Short)



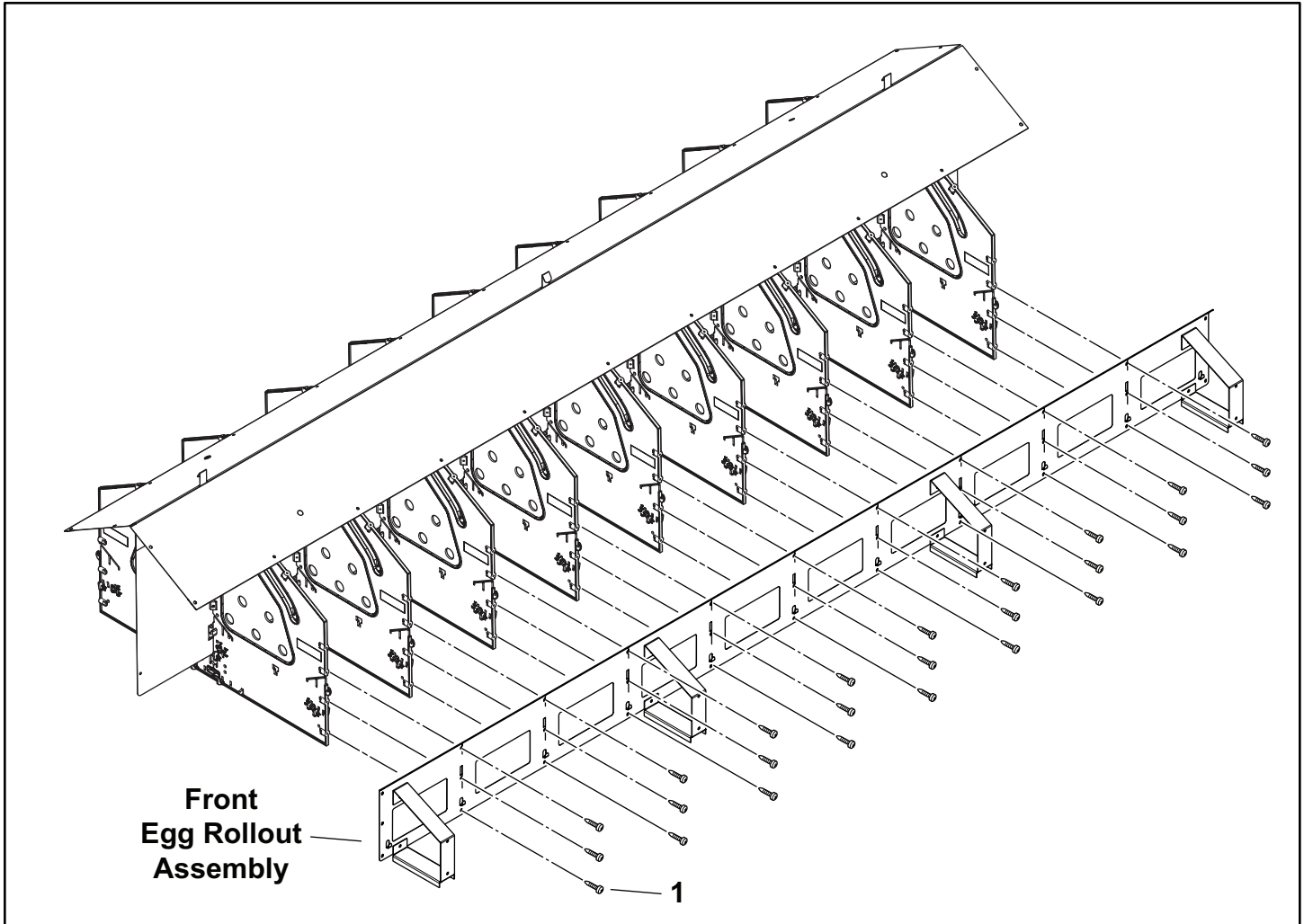
Pos.	Qty.	Part No.	Description
1	1	86-01-4067	COVER SHORT NXB-3 2020
	1	86-01-4154	COVER SHORT NXB-3 2018
	1	86-01-4166	COVER SHORT NXB-3 2016
2	1	86-01-4066	COVER LONG NXB-3 2020
	1	86-01-4156	COVER LONG NXB-3 2018
	1	86-01-4167	COVER LONG NXB-3 2016
3	1	86-01-4037	PARTITION NXB II UNIV W/11 DEG ROLLOUT
4		99-10-1064	Plastofast screw for plastic material 4.0x16
5	5	99-10-1100	Hexagon head screw M 6x 12 DIN 933 8.8 galv
6	5	99-20-1043	Self-locking counter nut M 6 galv DIN985-6

Step 5 Attach Egg Belt Return Brackets to Front Egg Belt Rollout



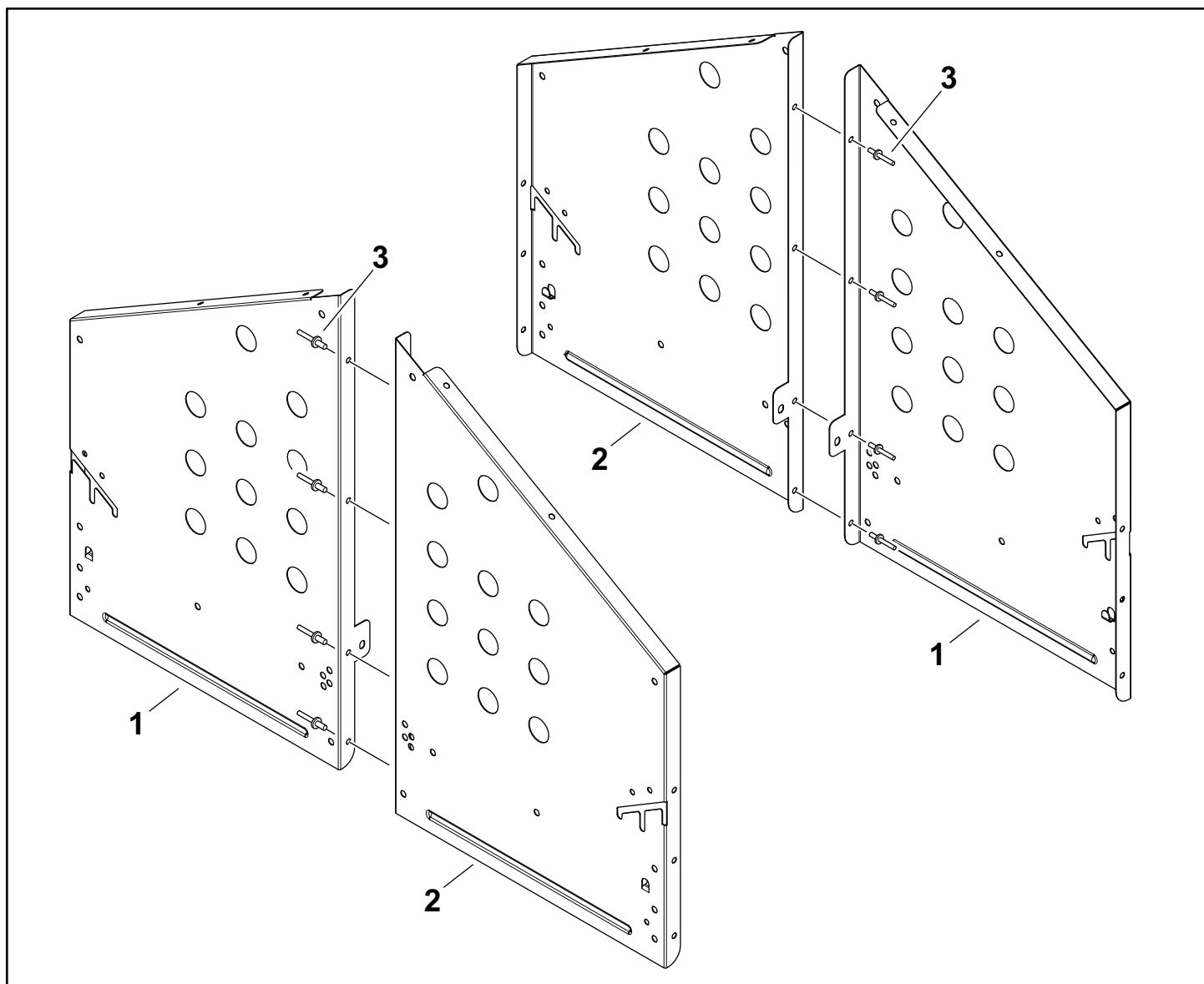
Pos.	Qty.	Part No.	Description
1	2	86-01-4068	FRONT RAIL ROLLOUT HOLES NXB-3 2020
	2	86-01-4157	FRONT RAIL ROLLOUT HOLES NXB-3 2018
	2	86-01-4168	FRONT RAIL ROLLOUT HOLES NXB-3 2016
2	8	86-01-4089	EGG BELT RETURN BRACKET NXB-3 20xx
3		99-10-1271	Blind rivet alu/steel flat round head 4.8x10 / 4.0-6.0mm

Step 6 Install Rollout Assembly



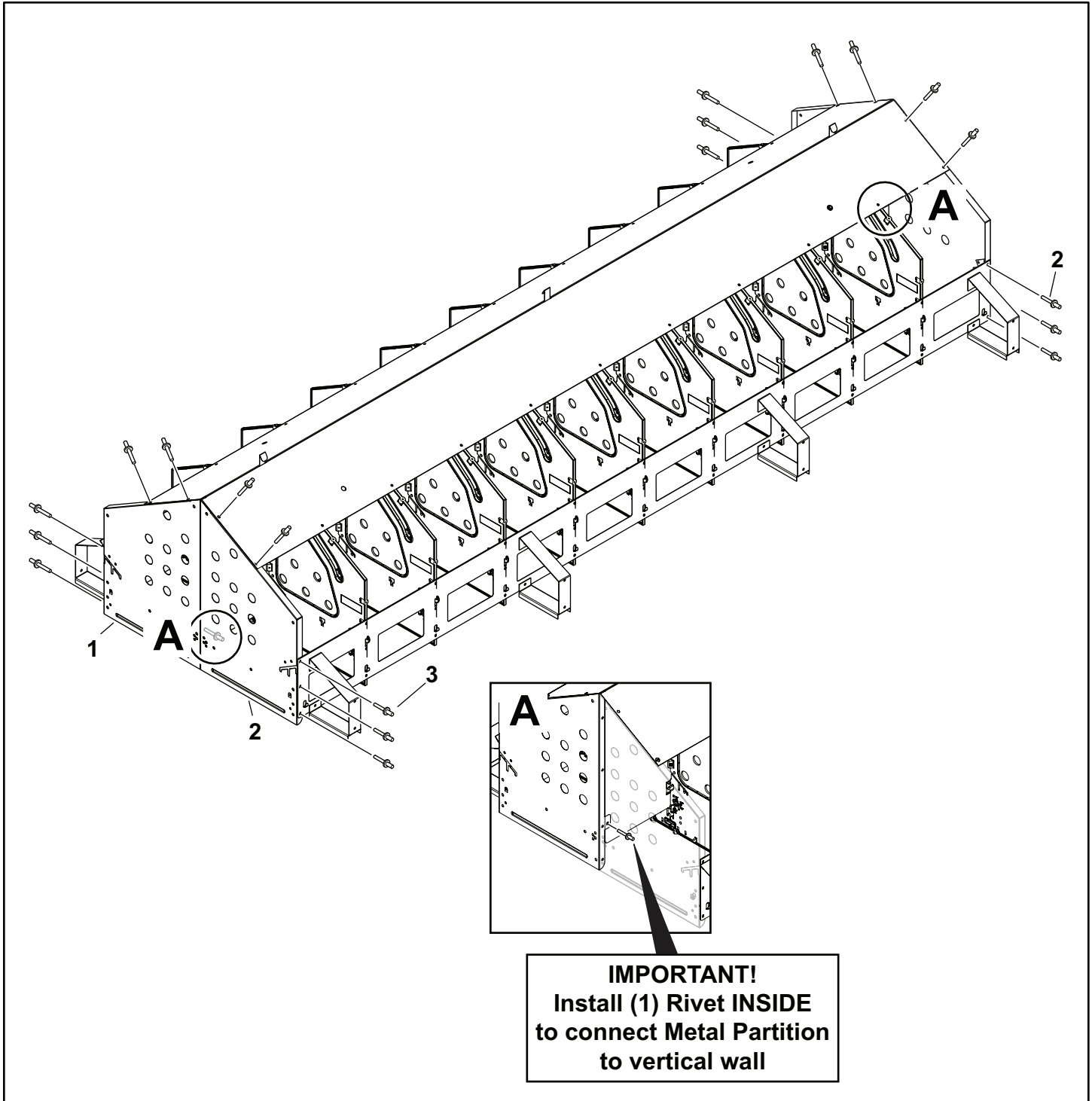
Pos.	Qty.	Part No.	Description
1		99-10-1064	Plastofast screw for plastic material 4.0x16

Step 7 Attach Metal Partitions - (4) places



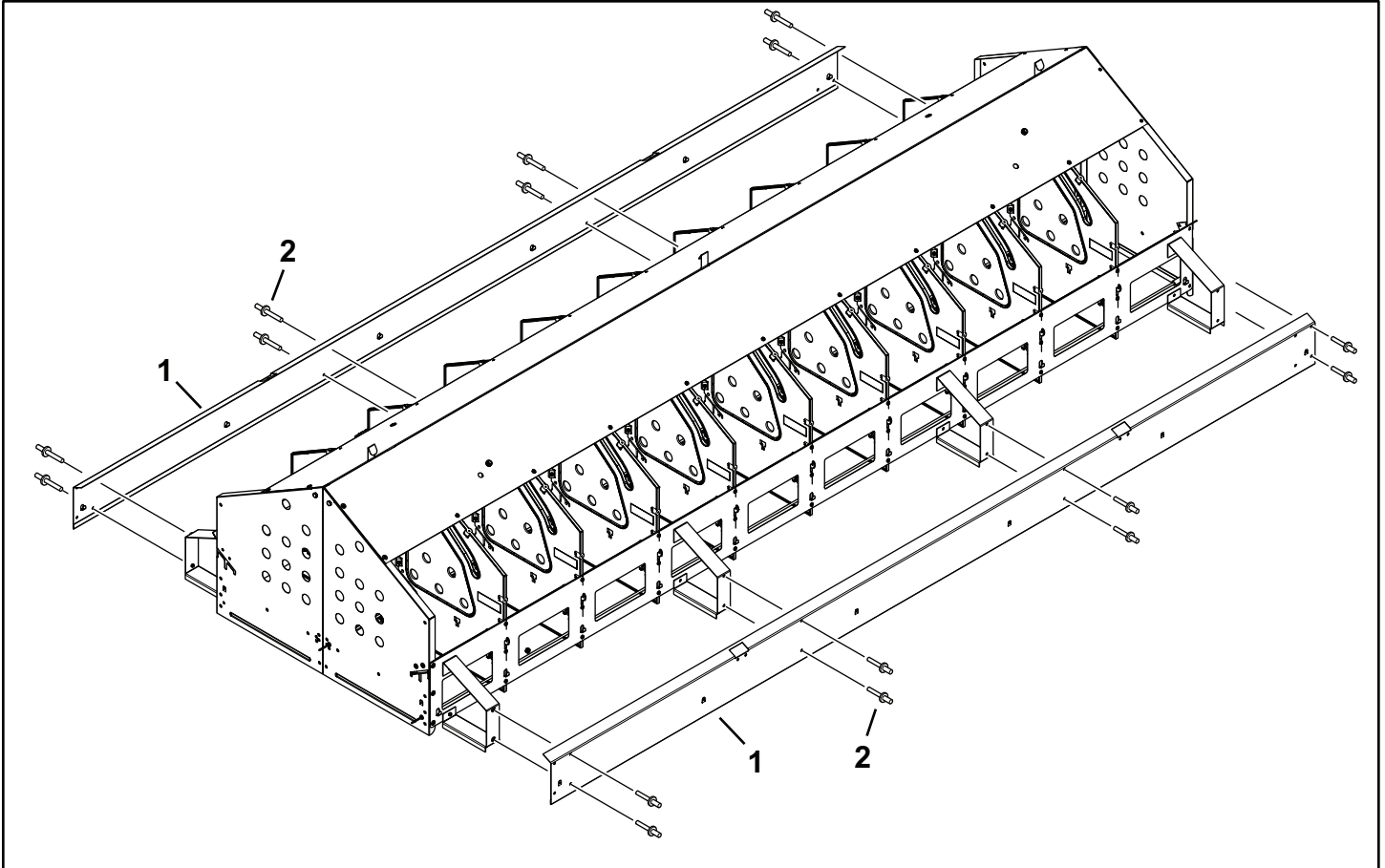
Pos.	Qty.	Part No.	Description
1	2	86-01-4065	Partition, Galv, RH NXB-3 20xx
2	2	86-01-4064	Partition, Galv, LH NXB-3 20xx
3	8	99-10-1271	Blind rivet alu/steel flat round head 4.8x10 / 4.0-6.0mm

Step 8 Install Metal Partitions Assembly



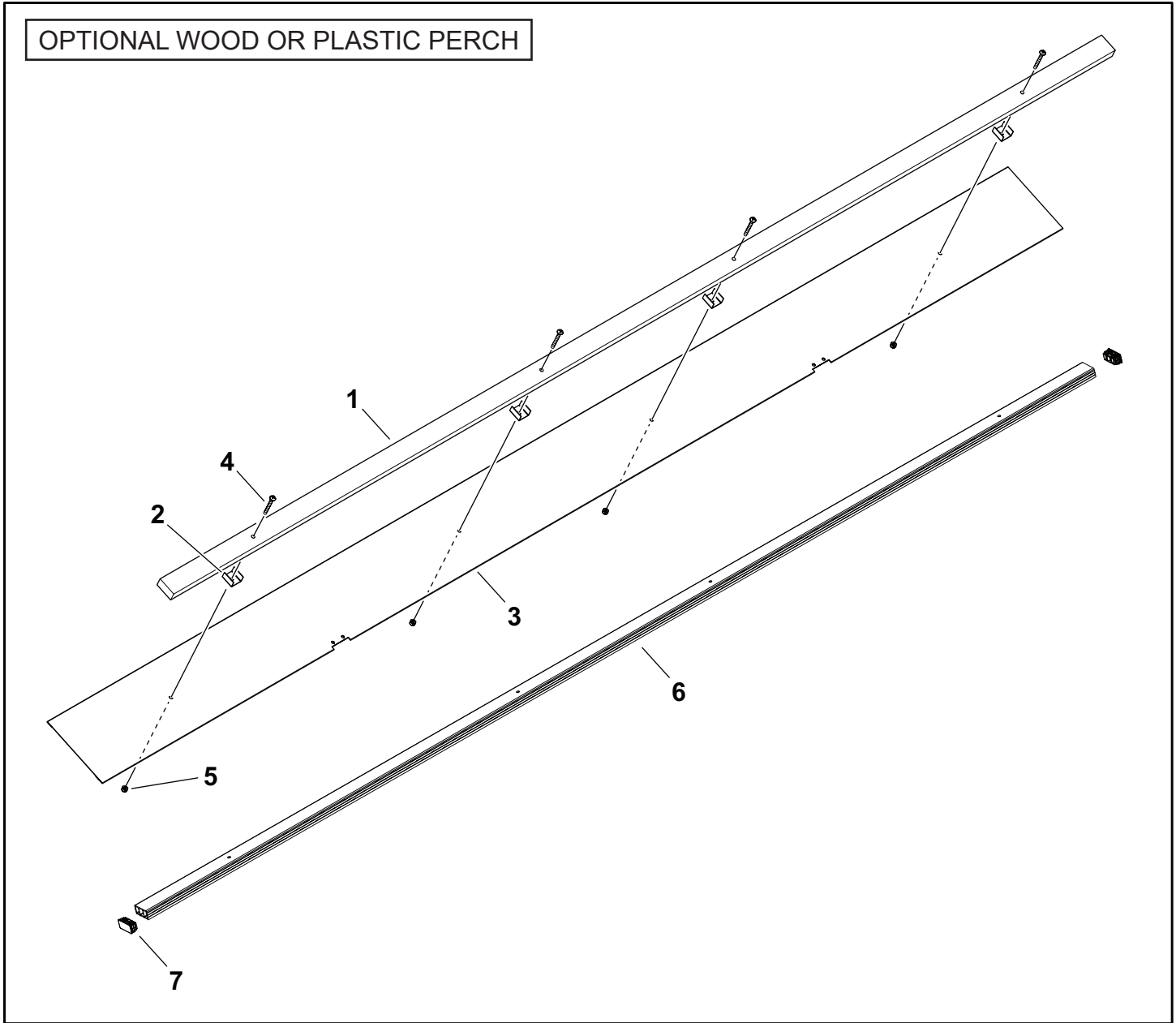
Pos.	Qty.	Part No.	Description
1	2	86-01-4065	Partition, Galv, RH NXB-3 20xx
2	2	86-01-4064	PARTITION,LH,NXB-3 20xx, GALV.
3	22	99-10-1271	Blind rivet alu/steel flat round head 4.8x10 / 4.0-6.0mm

Step 9 Rivet Cover Front to the Egg Belt Return Guide



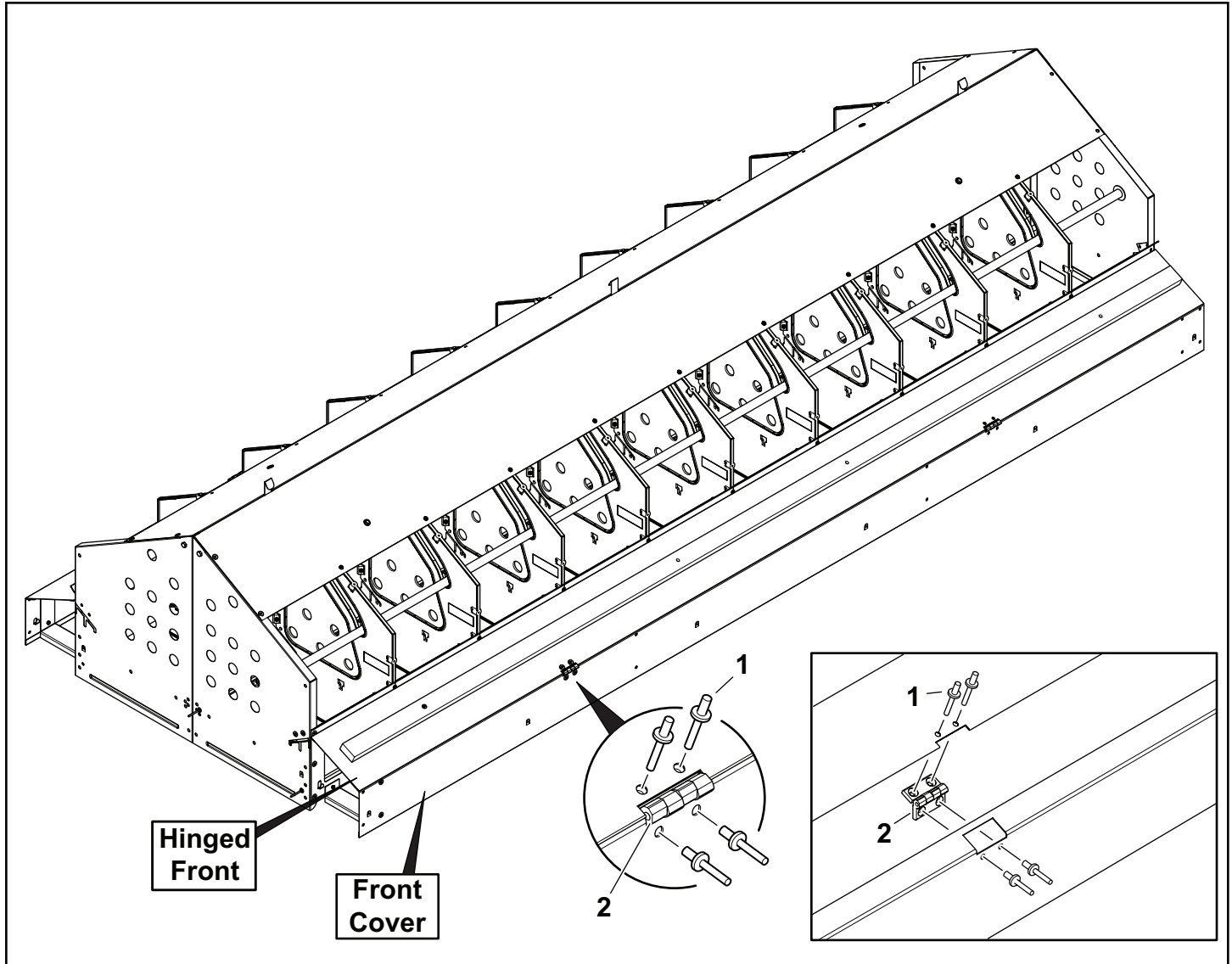
Pos.	Qty.	Part No.	Description
1	2	86-01-4095	COVER FRONT EGG BELT NXB-3 2010
2		99-10-1271	Blind rivet alu/steel flat round head 4.8x10 / 4.0-6.0mm

Step 10 Attach the Perch to the Cover



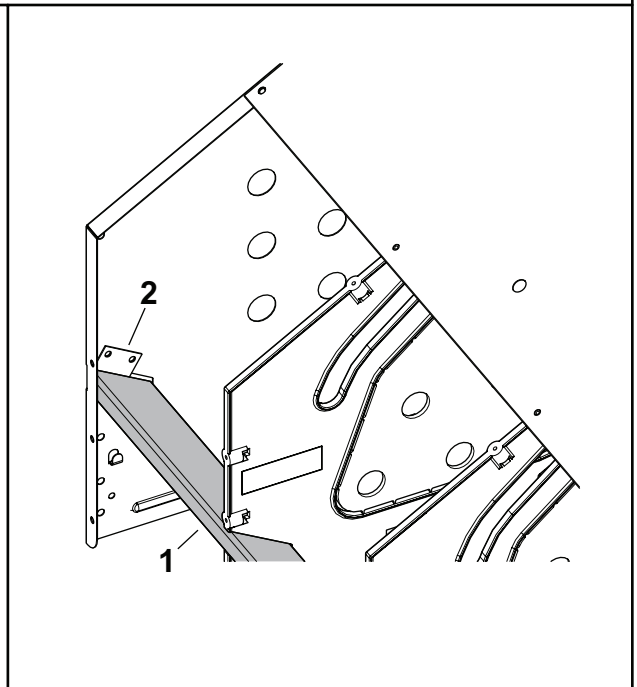
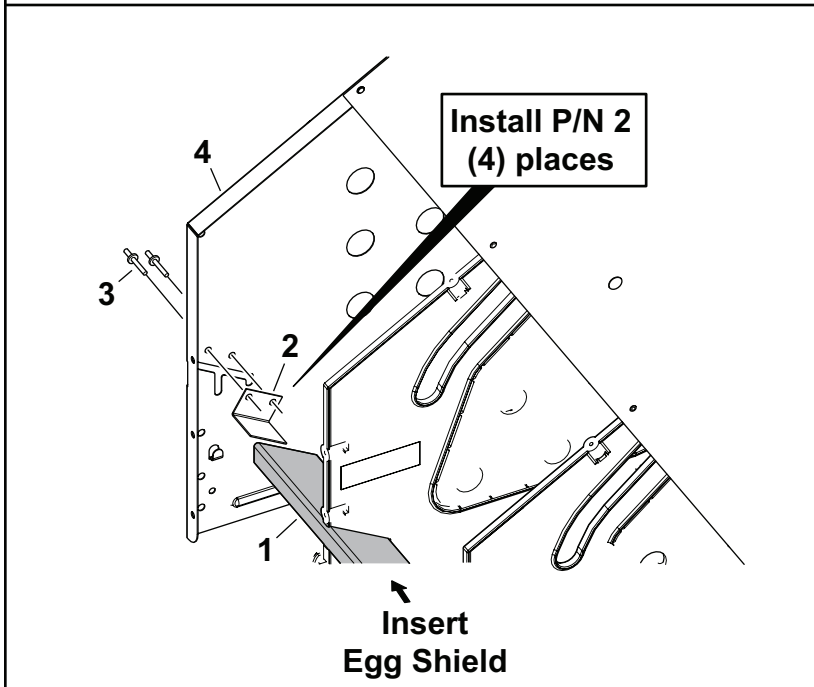
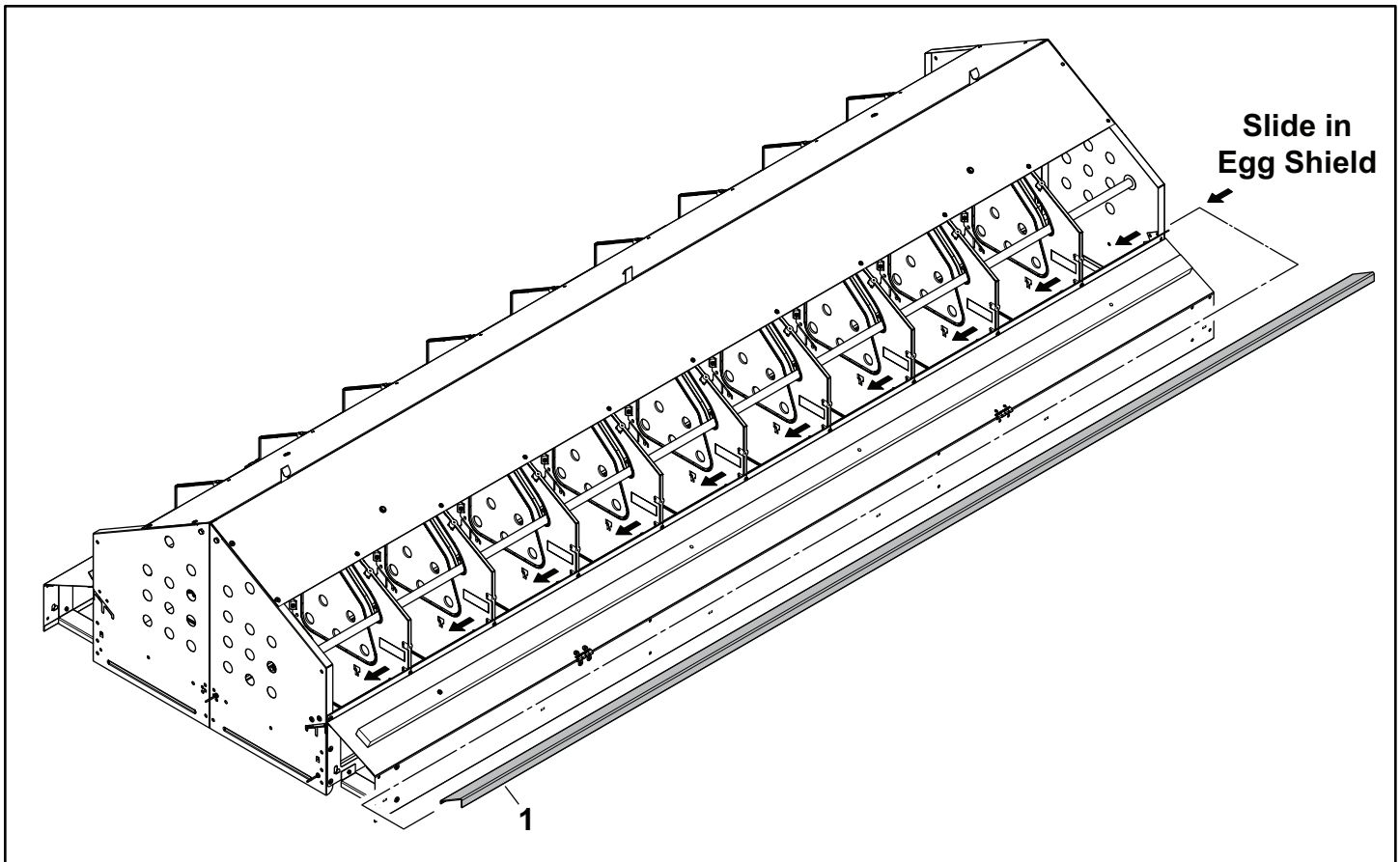
Pos.	Qty.	Part No.	Description
1	2	86-01-0676	PERCH,UNIVERSAL,NXB II,94" (20 PCS/BUNDLE)
2	8	86-00-9721	PERCH BRACKET,NXB II,SB
3	2	86-01-4096	HINGED COVER EGG BELT NXB-3 20xx
4	8	86-01-5348	SCREW,M6X45 PAN HEAD PHILLIP GALV
5	8	99-20-1043	Self-locking counter nut M 6 galv DIN985-6
6	4	83-14-2776	Perch 40x20-2400 PVC NXB-II-20xxW
7	2	83-16-7123	Lamellar plug with fins f/perch 40x20mm NXB-II

Step 11 Rivet Hinges to Cover and Hinged Front



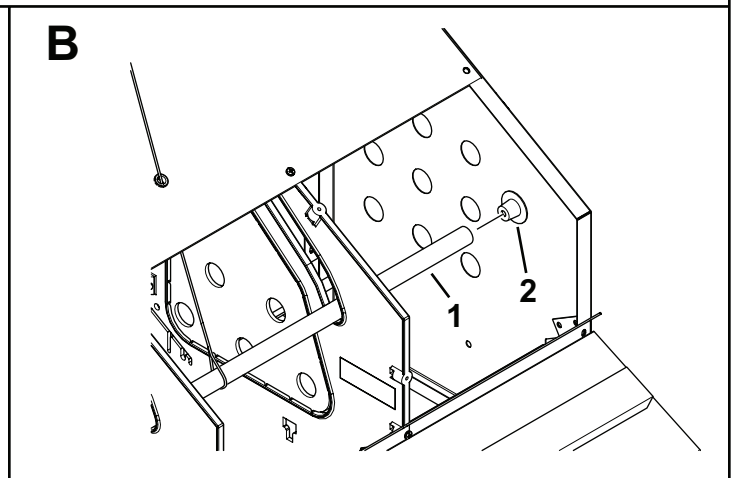
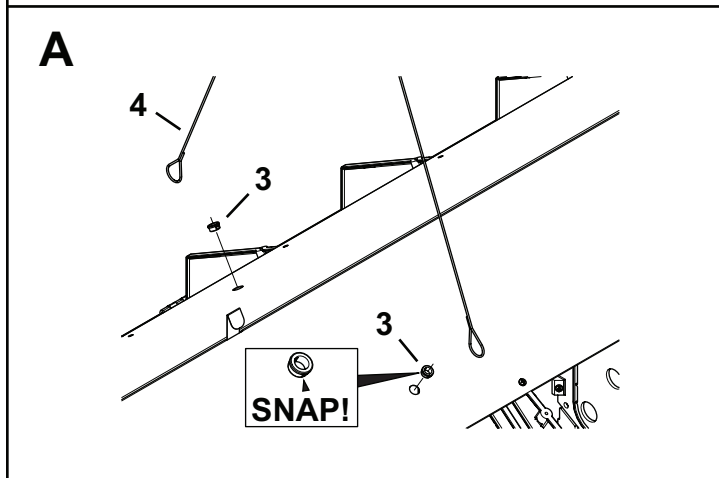
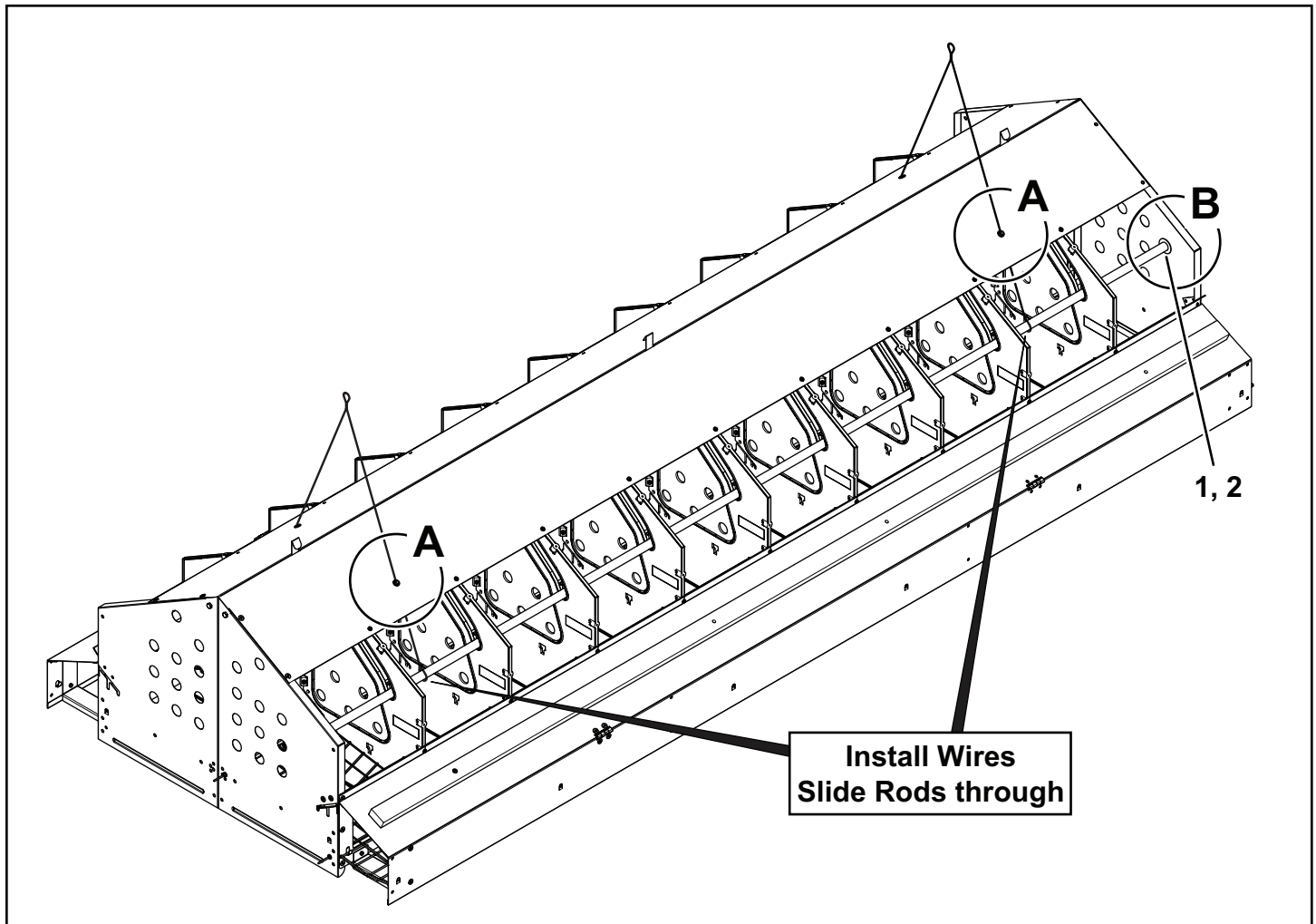
Pos.	Qty.	Part No.	Description
1	16	86-01-3528	BLIND RIVET 3/16"DIA X 0.575"L ZP
2	4	83-07-7973	Hinge 40x40 for egg channel NXB SB

Step 12 Rivet Egg Shield Stop Bracket and Slide in Egg Shield



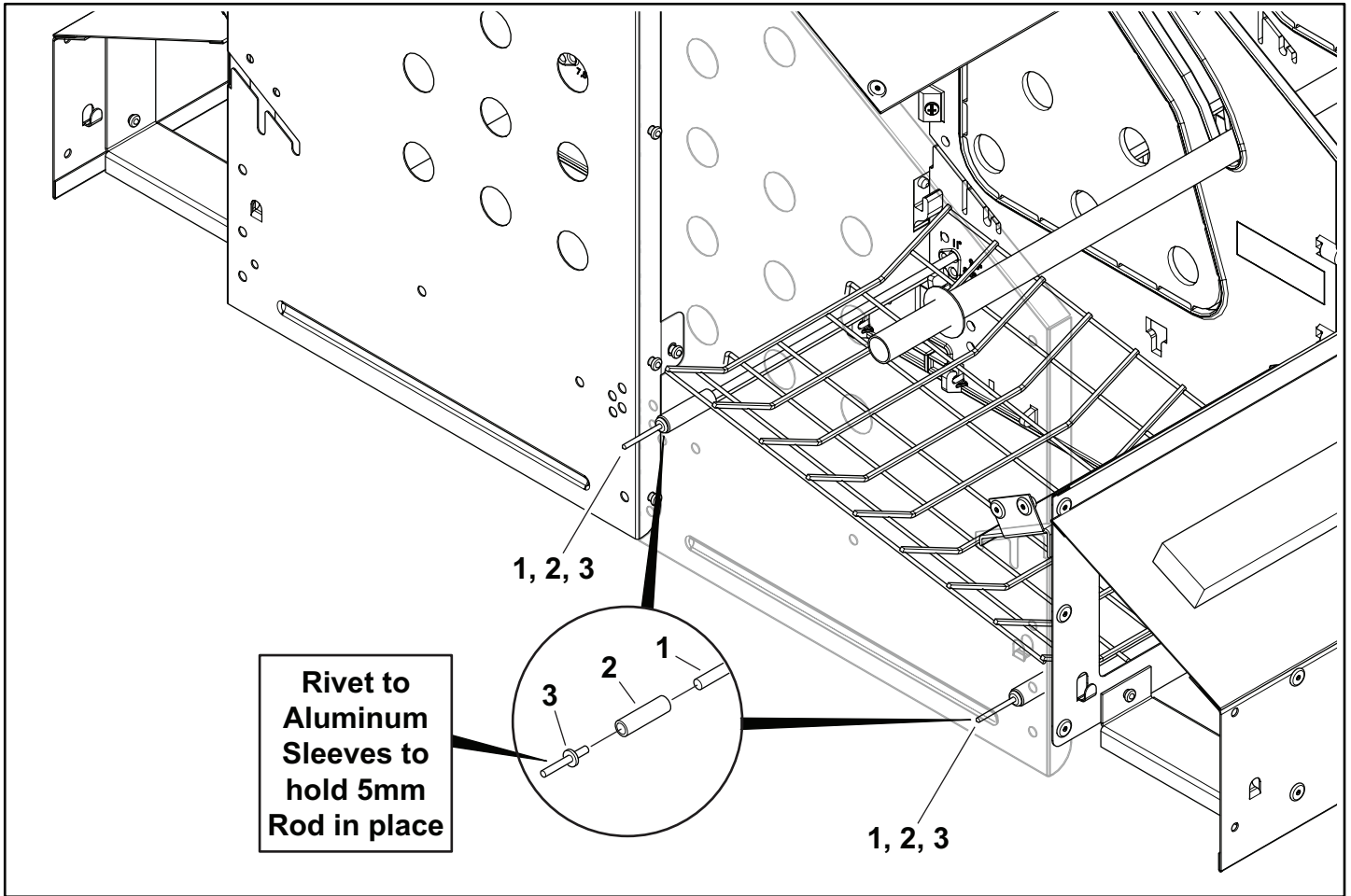
Pos.	Qty.	Part No.	Description
1	2	86-01-4098	EGG SHIELD SLIDE IN,BLACK NXB-3 8FT
2	4	86-01-4074	EGG SHIELD STOP BRACKET NXB-3
3		99-10-1271	Blind rivet alu/steel flat round head 4.8x10 / 4.0-6.0mm
4	2	86-01-4064	PARTITION,LH,NXB-3 20xx, GALV.

Step 13 Install Nest Closure Rods, Plastic Plugs, Traction Ropes



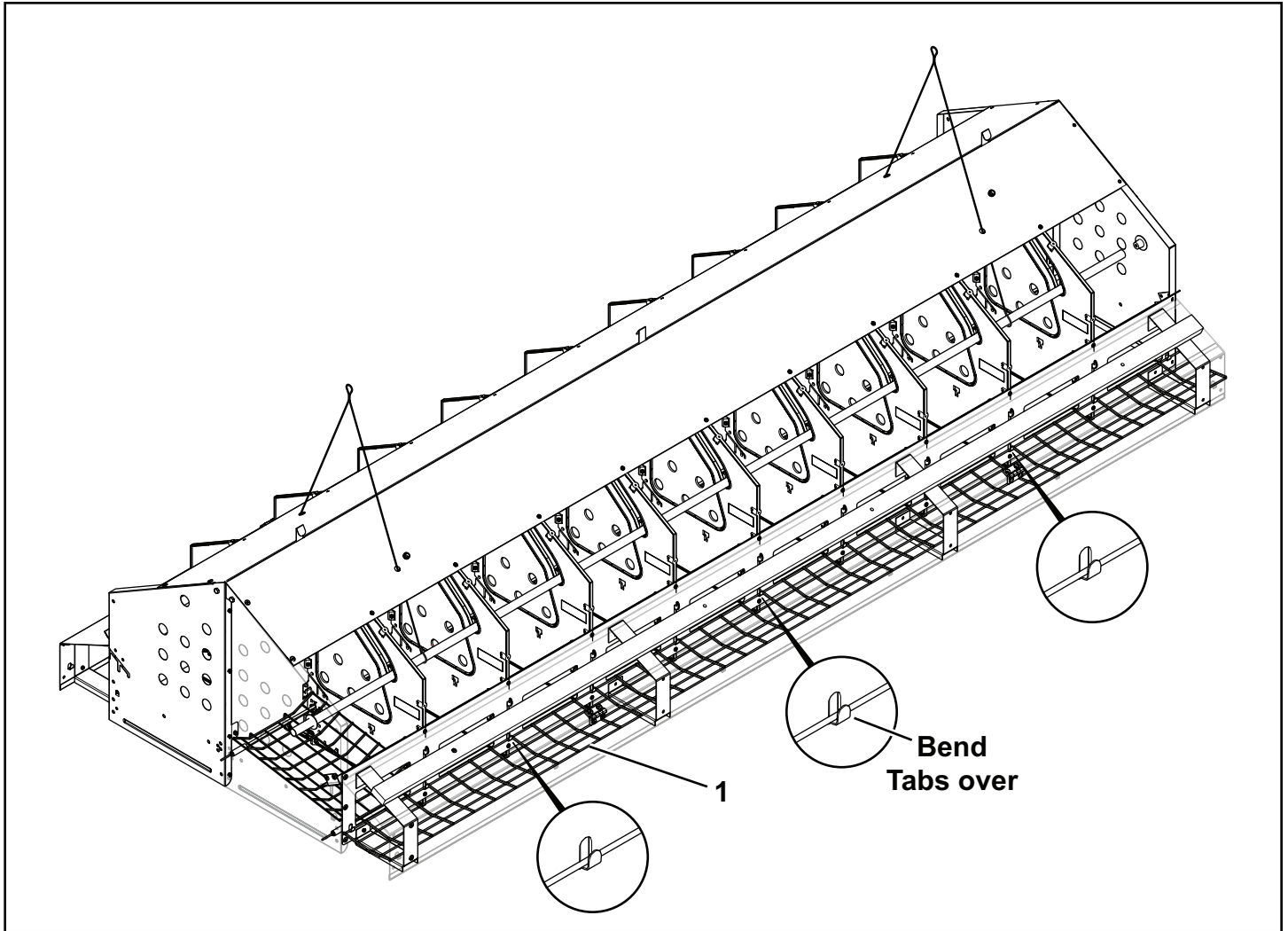
Pos.	Qty.	Part No.	Description
1	2	86-01-2675	TUBE, FLO COAT 0.706"OD X 95.25", 19GA GALV.
2	4	83-13-7506	Plug universal protection GPN 620 U 13 B black
3	4	83-05-3092	Opening for rope NXB
4	2	83-03-3797	Traction rope nest blockere for NXB

Step 14 Slide in (4) 5mm Rods and Rivet Aluminum Sleeves



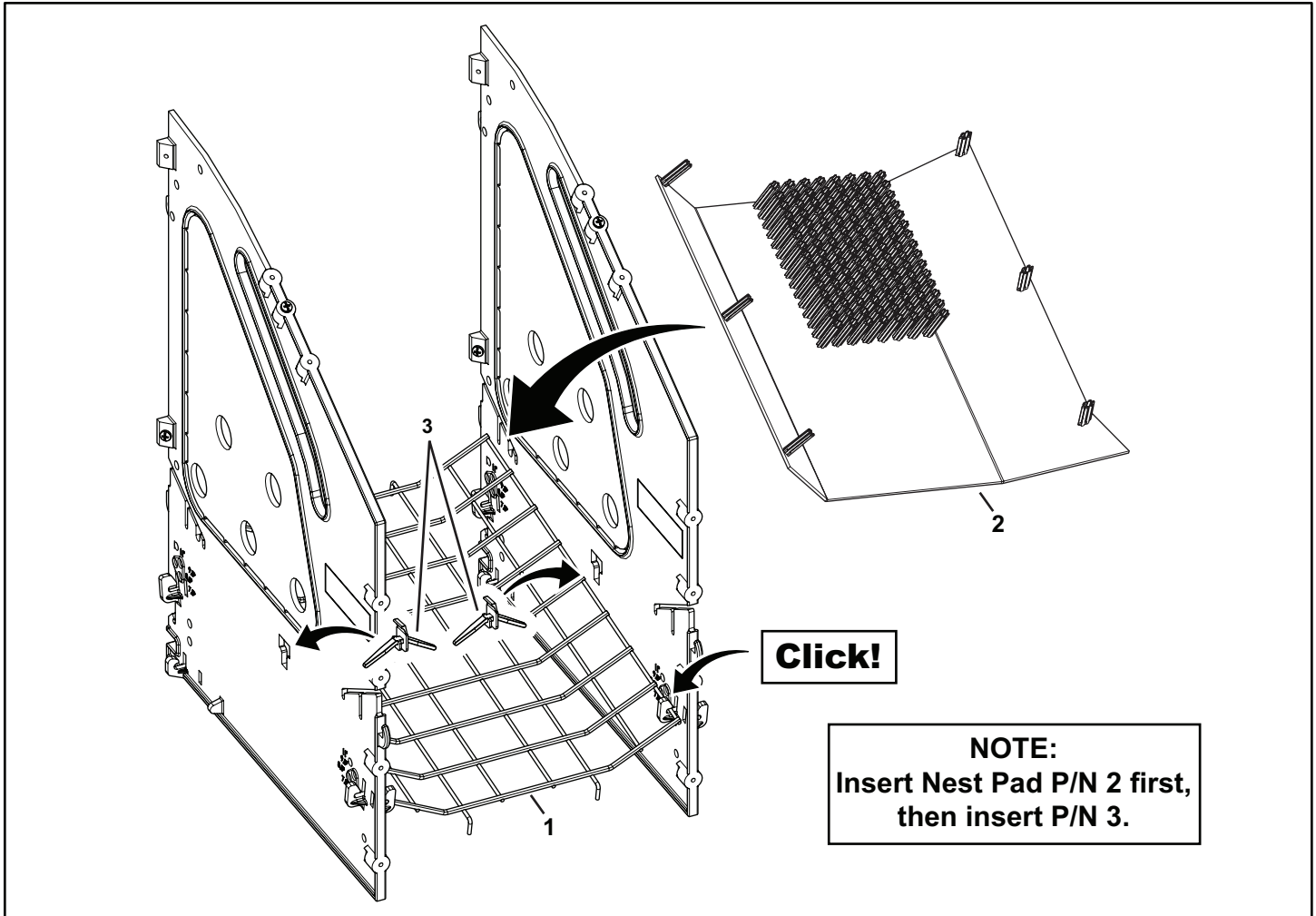
Pos.	Qty.	Part No.	Description
1	4	86-01-2672	ROD,94.3 x .197 INCH DIA GALV.
2	8	86-01-2674	BUTTON STOP 3/16 x1.5" ALUMINUM (.220 I.D., .435 O.D. X 1.5)
3		86-01-3528	BLIND RIVET 3/16"DIA X 0.575"L ZP

Step 15 Drop in Wire Mesh - Bend Tabs over to hold in place



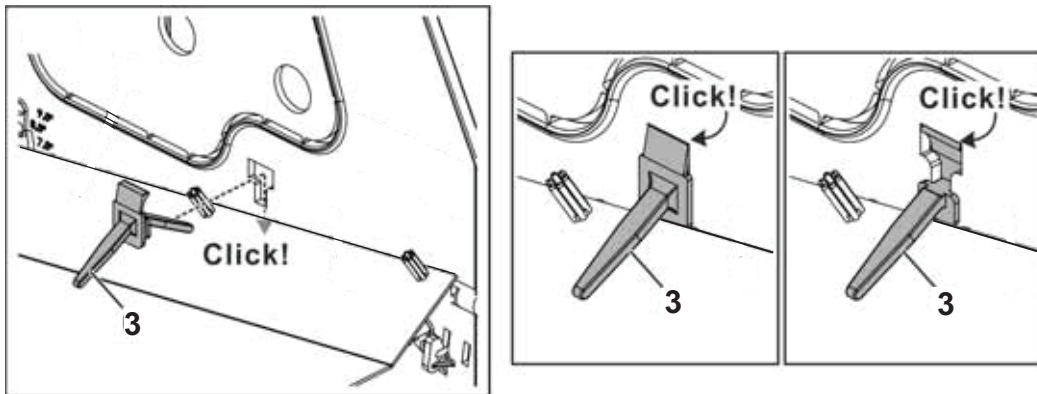
Pos.	Qty.	Part No.	Description
1	2	86-01-1675	WIRE MESH 5 INCH EGG BELT 96 NXB 2000P

Step 16 Install Wire Mesh Bottoms and Nest Pads



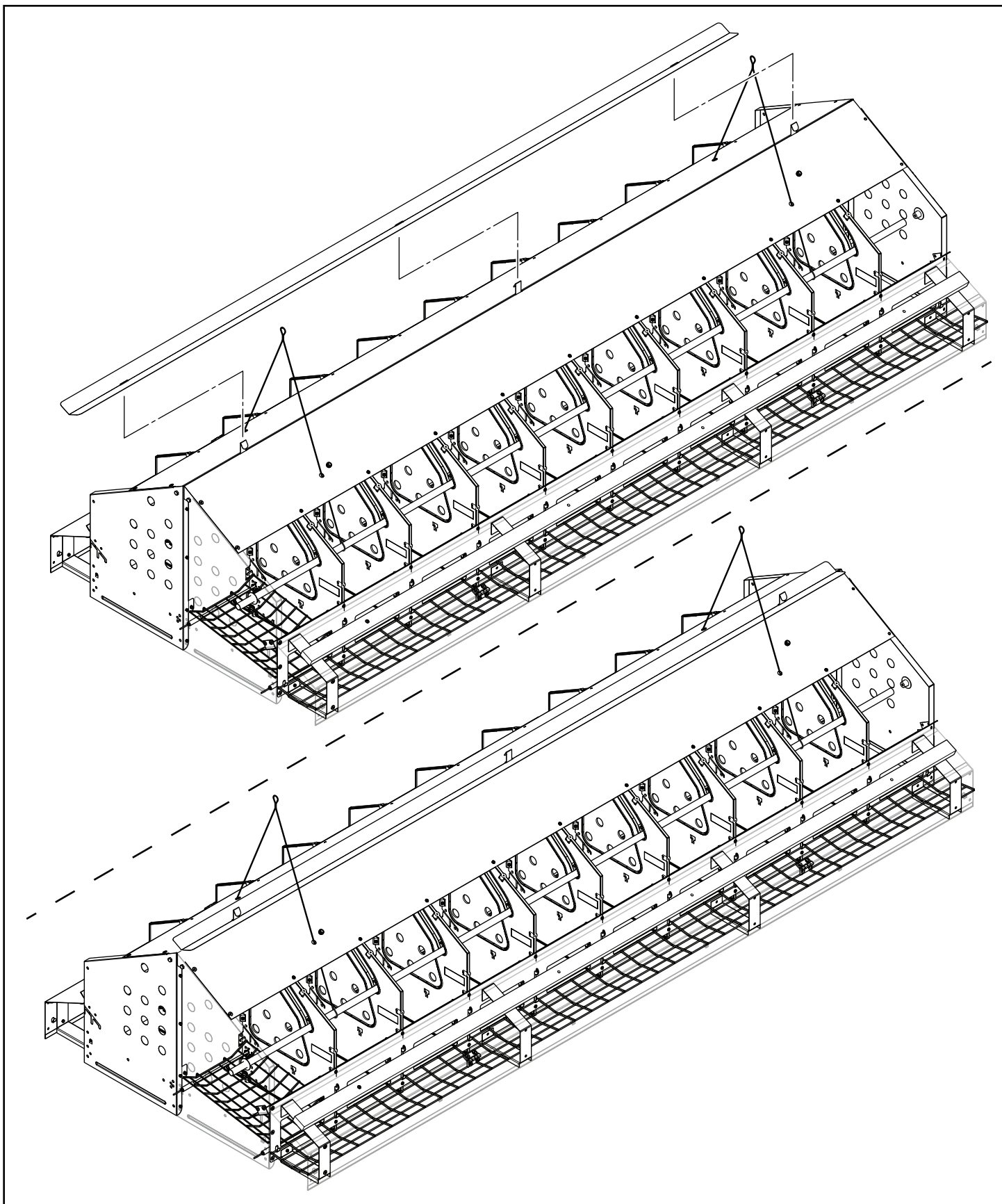
IMPORTANT

Binder For Nest Insert MUST “CLICK” into place to ensure that it is seated fully. They will not click into place if a part of the nest pad is in the slot.



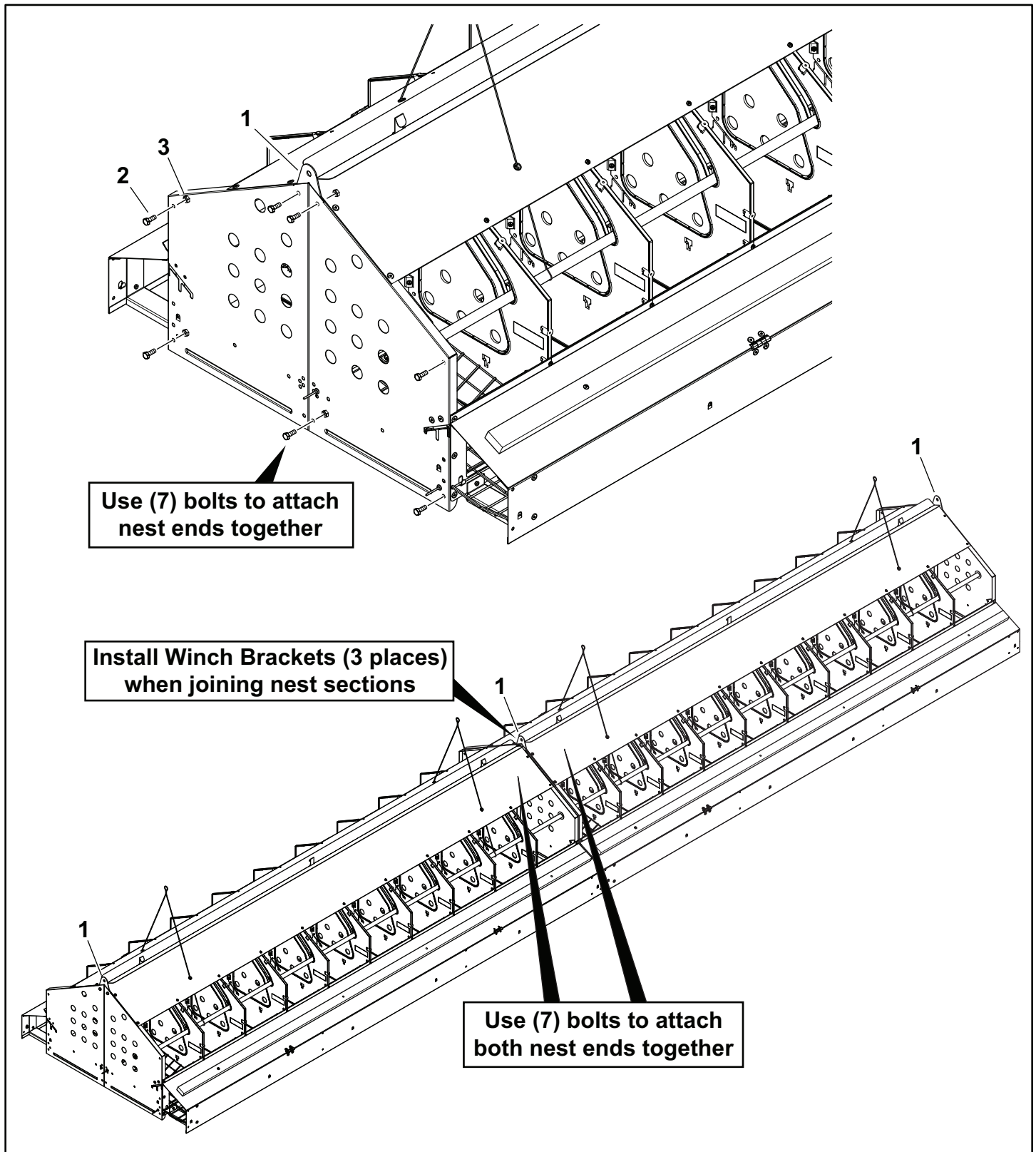
Pos.	Qty.	Part No.	Description
1	20	83-04-8934	Wire mesh nest insert (ZnAl-A) NXB 20h
2	20	86-01-2663	NEST PAD, DIRECTIONAL, NXB, F/WIRE BOTTOM, 9.6”X13.17”
3		83-05-0715	Binder for nest insert NXB

Step 17 Snap on Anti-Roost Rocker



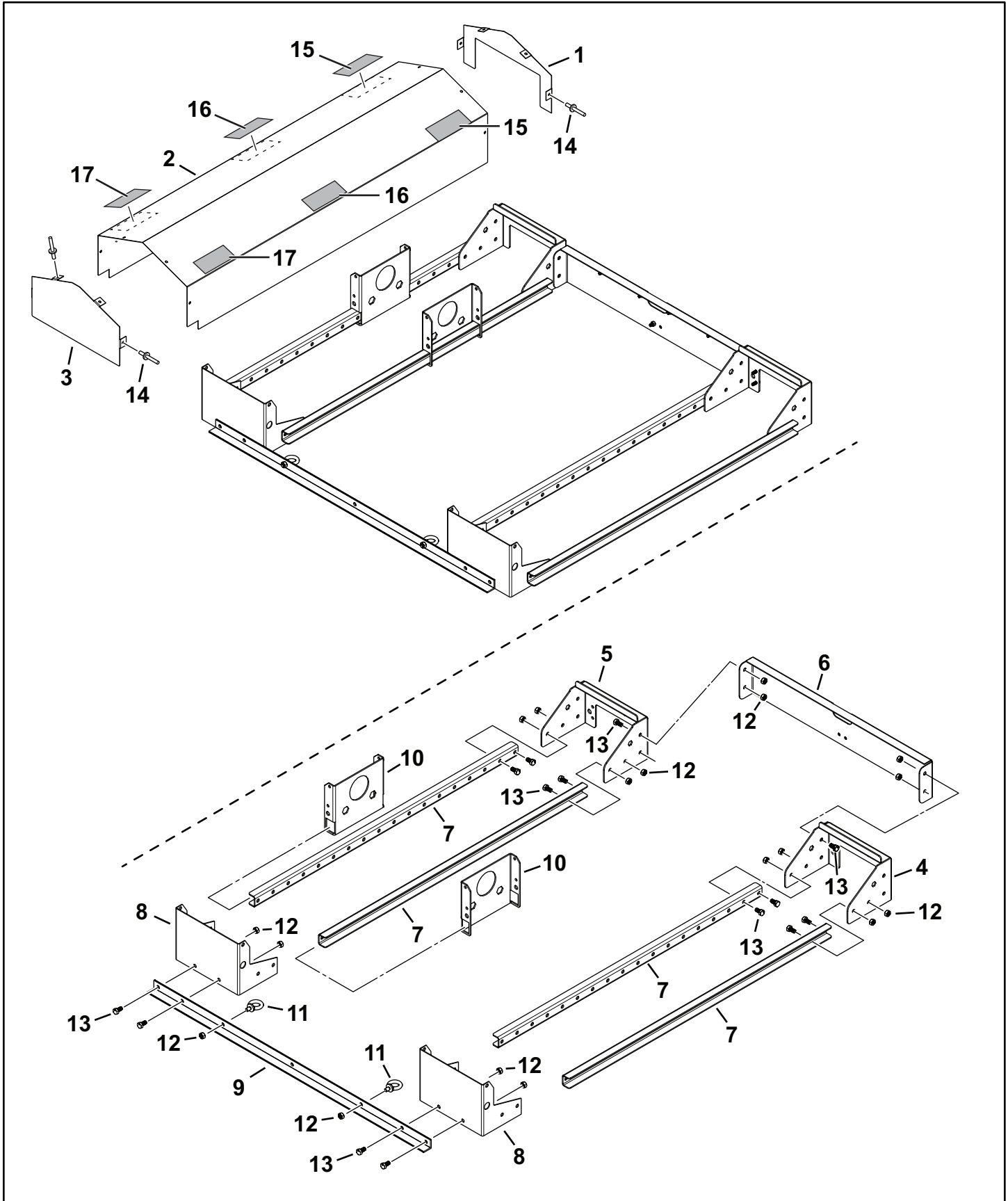
Pos.	Qty.	Part No.	Description
1	1	86-01-4117	ANTI ROOST ROCKER SYM NXB-3 WIDE

Step 18 Join (2) 8 Foot Nest Banks



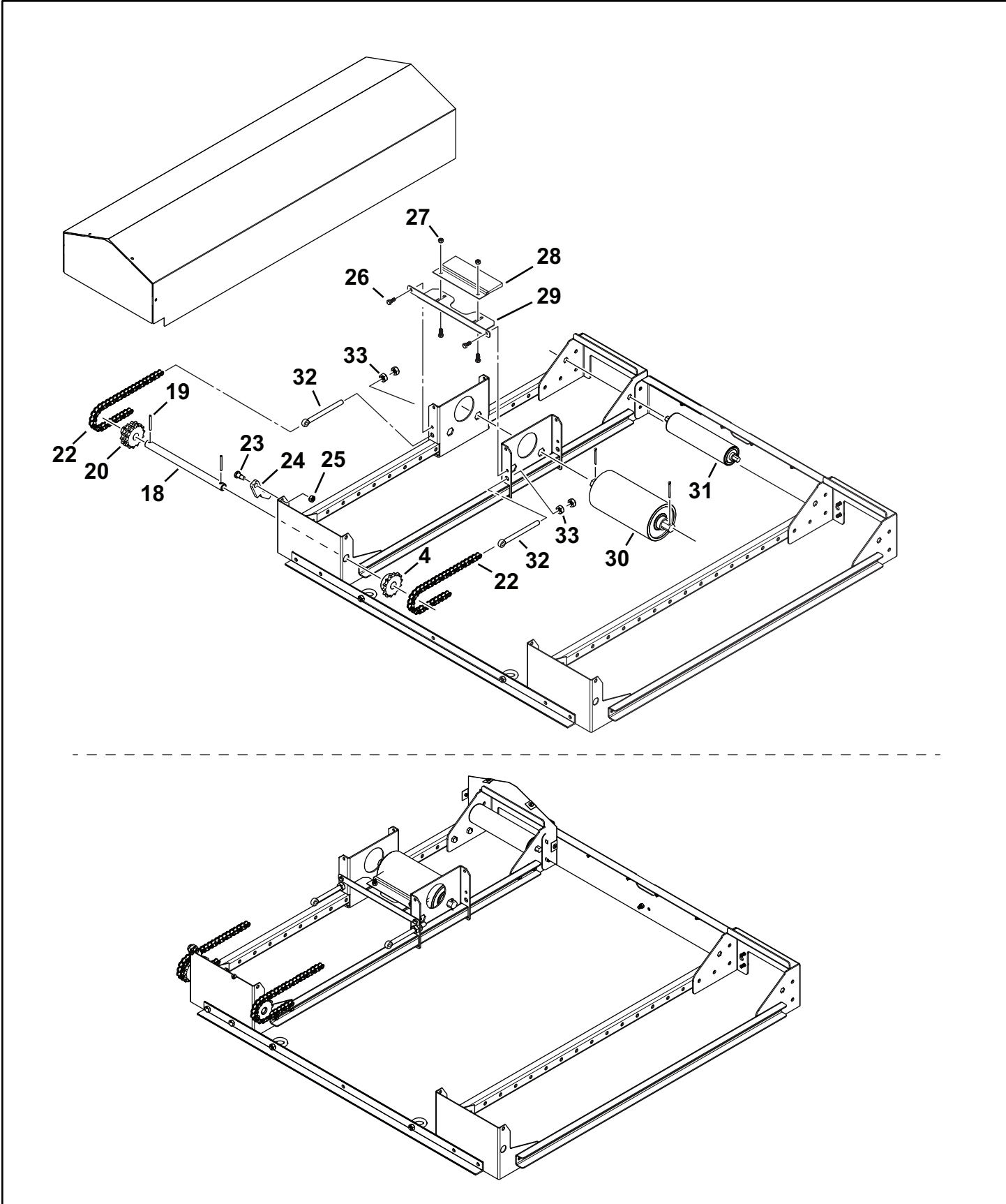
Pos.	Qty.	Part No.	Description
1		86-01-4073	WINCH BRACKET NXB-3 20xx
2	7	99-10-1100	Hexagon head screw M 6x 12 DIN 933 8.8 galv
3	7	99-20-1043	Self-locking counter nut M 6 galv DIN985-6

Step 19 Idler NXB III 2020 End Assembly



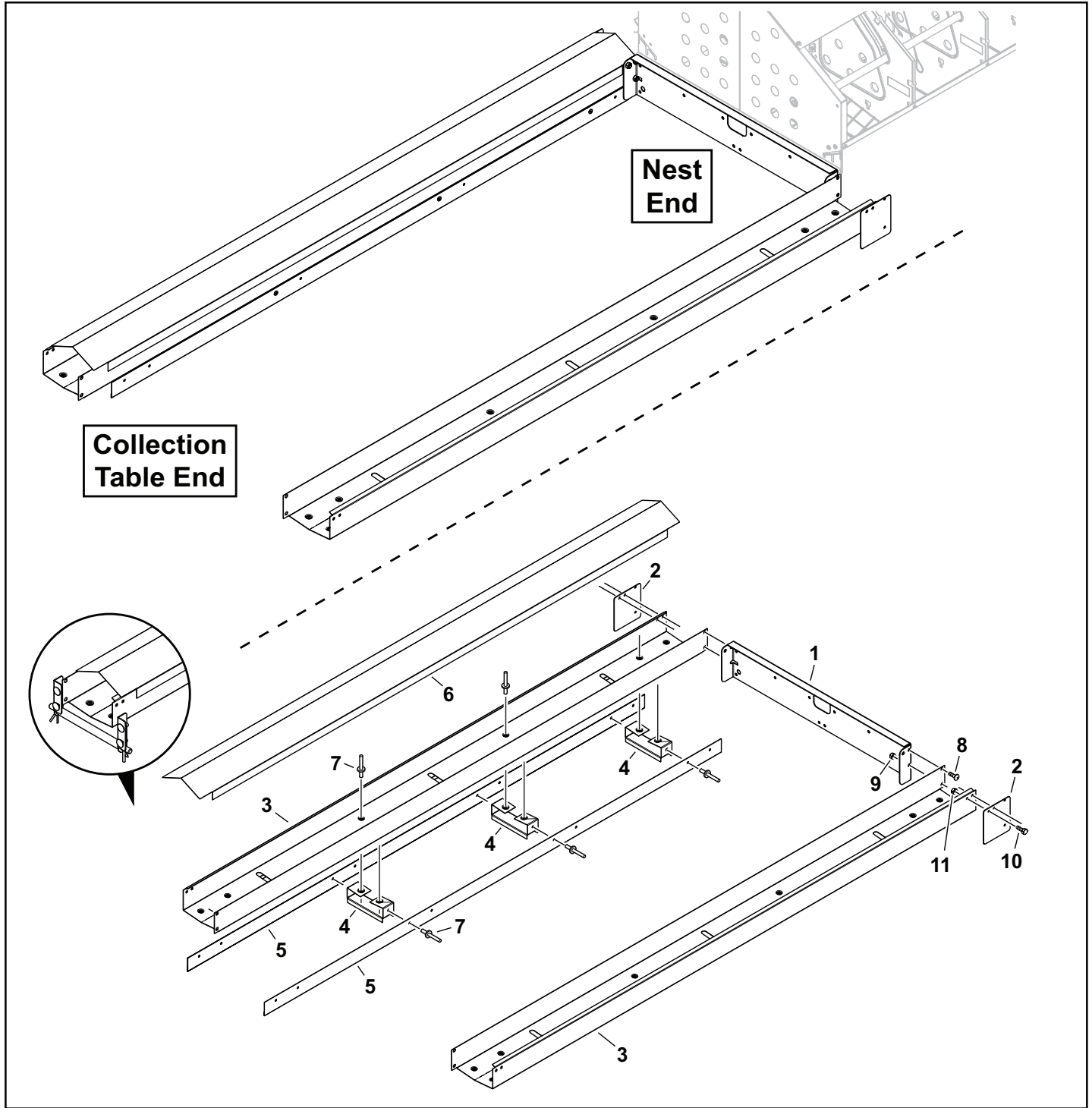
Pos.	Qty.	Part No.	Description
1	2	86-01-4084	Idler Cover Front NXB-3 20xx
2	2	86-01-1716	IDLER COVER MAIN NXB2000P
3	2	86-01-1700	COVERING REAR IDLER COVER NXB2000P
4	1	86-01-4083	Idler Bracket RH NXB-2 20xx
5	1	86-01-4082	Idler Bracket LH NXB-2 20xx
6	1	86-01-4081	Idler Pressure Frame NXB-3 20xx
7	4	83-05-5578	Guiding rail for idler EB196
8	2	86-01-1073	CROSS CONNECTION PROFILE FOR IDLER ROLLER EGG BELT NXB2000
9	1	86-01-1086	CONNECTION PROFILE REAR OF IDLER 1x1x0.125 ANGLE NXB2000
10	4	86-01-1713	IDLER SLIDING PLATE NXB
11	2	99-10-1314	Lifting eye bolt M 8 DIN 580 galv
12	35	99-10-1040	Hexagon nut M 8 galv DIN934-8
13	28	99-10-1046	Hexagon head screw M 8x 16 DIN 933 8.8 galv
14	16	99-10-1661	Blind rivet alu/steel flat round head 4.8x 6.0
15	4	00-00-1367	Sticker D/GB/RUS/E/CN: Clean brush every day
16	4	00-00-1187	Pictograph: Crushing danger / protection device
17	4	00-00-1186	Pictograph: Before maintenance work mainswitch "OFF"

Step 19.1 Idler NXB III 2020 End Assembly - continued



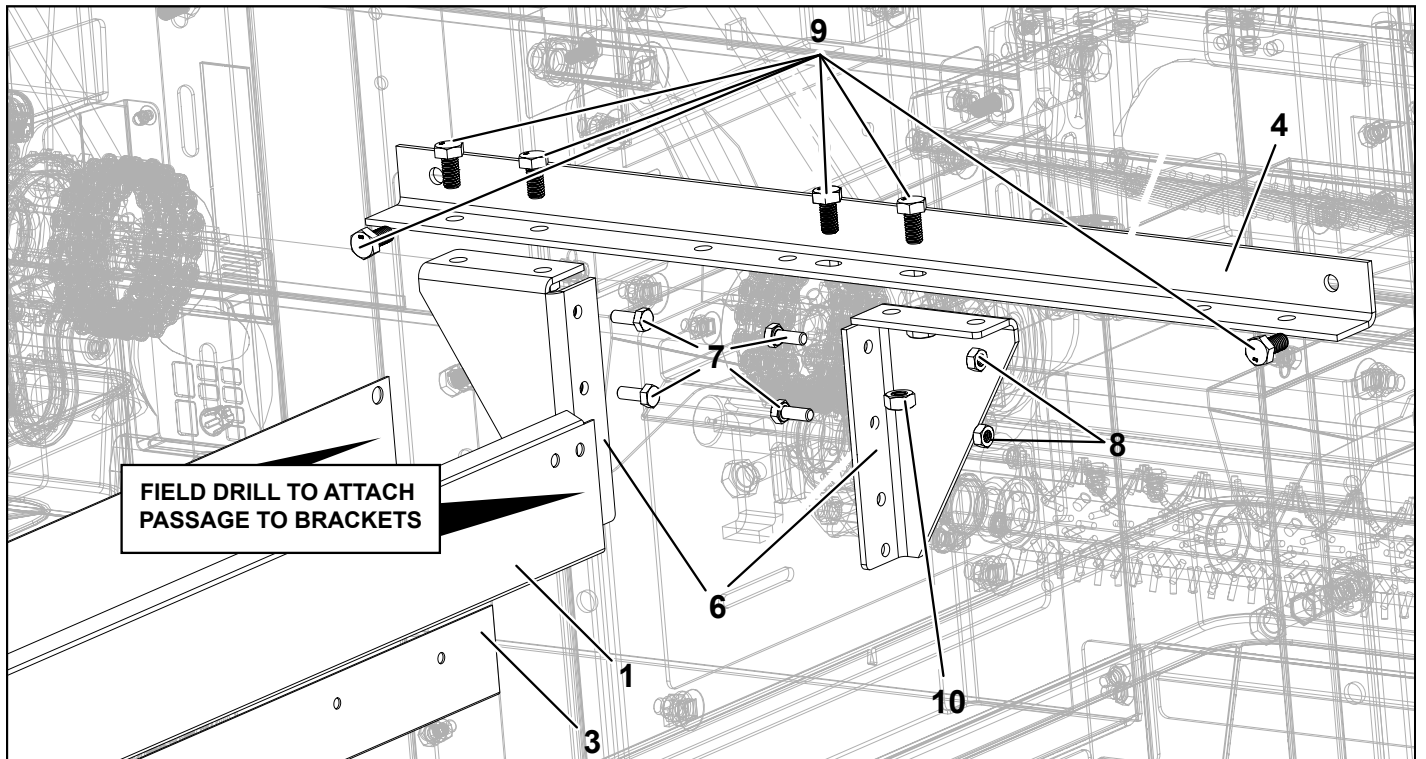
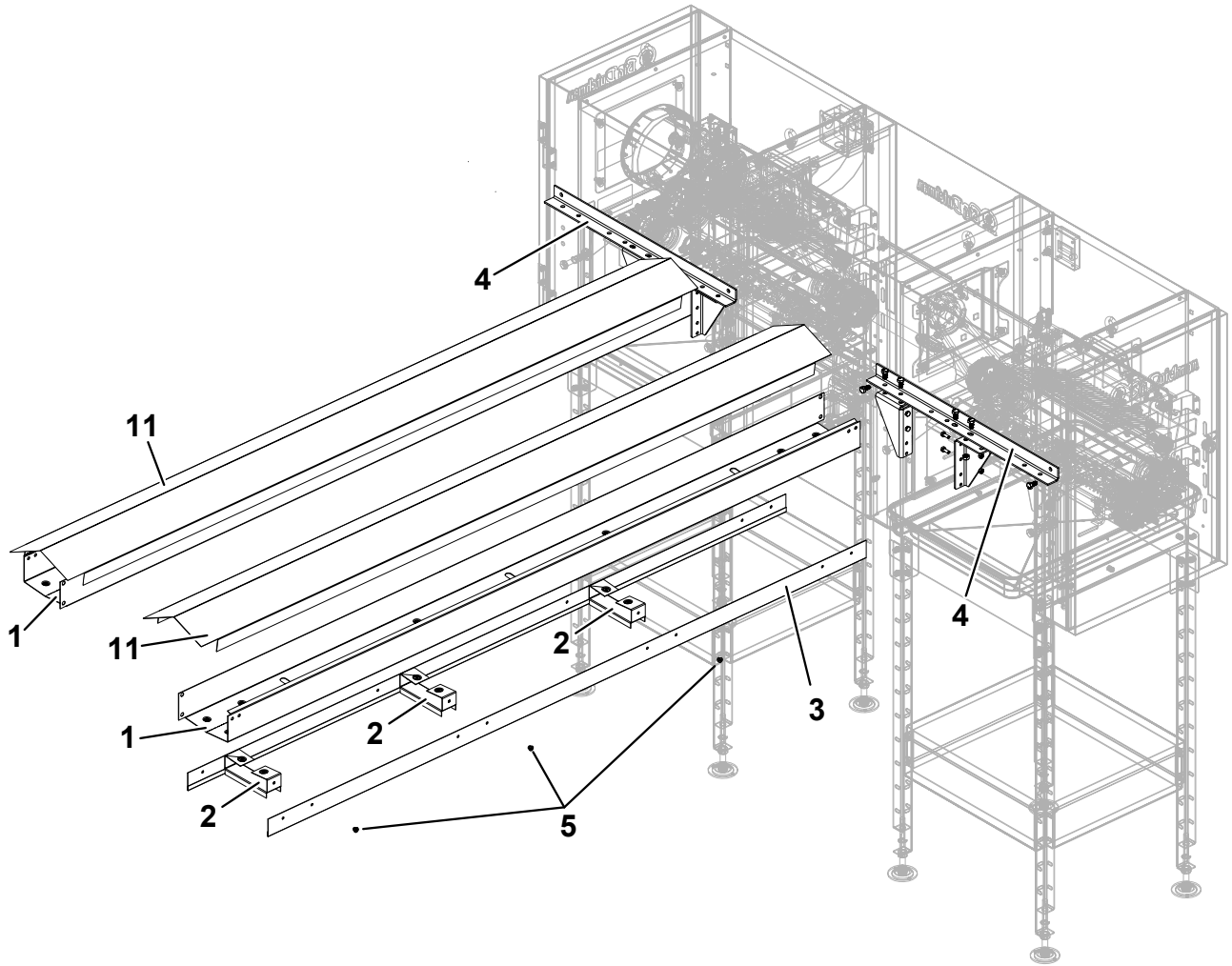
Pos.	Qty.	Part No.	Description
18	2	86-01-1074	CONNECTION TUBE FOR 3/8" CHAIN WHEEL NXB2000
19	4	99-50-1351	Spring type straight pin 5x40
20	2	39-00-4115	Chain wheel 1/2"-14t-b17.5 dbl w/nut -Idler roller w/chain
21	2	39-00-4116	Chain wheel 1/2"-14t-b17.5 sgl Idler roller with chain
22	4	39-00-4030	Roller chain 1/2" 48l DIN 8187
23	2	99-10-3919	Slotted pan head screw M 8x10 DIN 923 w/shoulder galv
24	2	83-03-1714	Detent pawl for idler roller with chain
25	35	99-10-1040	Hexagon nut M 8 galv DIN934-8
26	26	99-10-1067	Hexagon head screw M 6x 16 DIN 933 8.8 galv
27	25	99-10-1045	Hexagon nut M 6 galv DIN934-8
28	2	86-01-2609	CONVEYOR BRUSH ASSY, NXB2000
29	2	86-01-1714	IDLER BRUSH HOLDER NXB2000P
30	2	86-01-1976	IDLER ROLLER ASSEMBLY,Ø3.5" ROLLER WITH ROLLER BEARINGS,8"
31	2	86-01-1992	IDLER ROLLER ASSEMBLY,Ø1.9" ROLLER WITH ROLLER BEARINGS,8"
32	4	39-00-4112	Eye bolt M10x120 Idler roller with chain
33	8	99-20-1029	Hexagon nut M 10 galv DIN 934-8

Step 20 Connection Set (Table Drive)



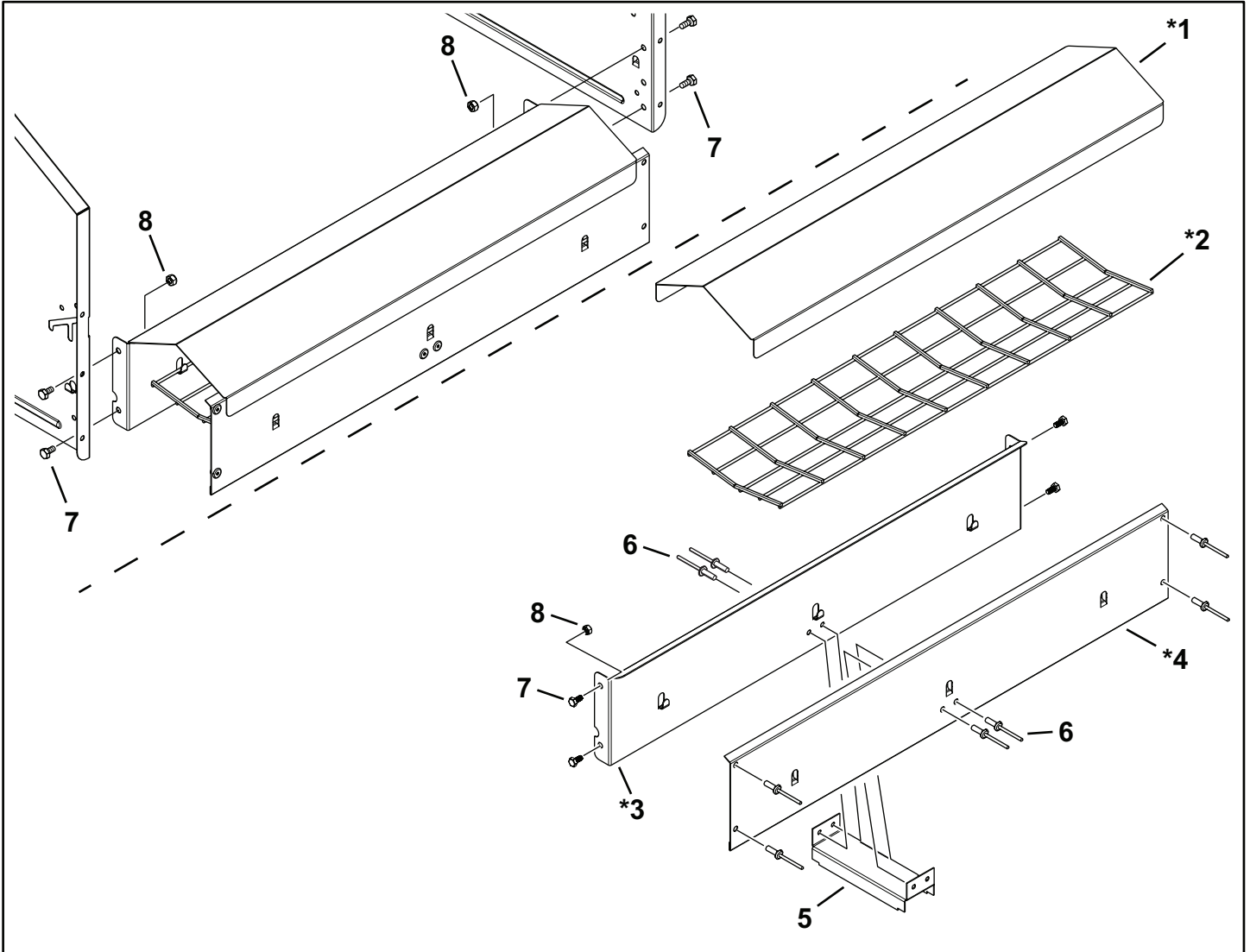
Pos.	Qty.	Part No.	Description
1	1	86-01-4116	Table Connect Pressure Frame NXB-3 20xx
2	2	86-01-1092	EGG CHANNEL TO TABLE PASSAGE CONNECTION BRACKET NXB2000
3	2	86-01-1091	EGG CHANNEL TABLE CONNECTION 72" NXB2000 PLASTIC BELT
4	8	86-01-1093	EGG BELT RETURN GUIDE TABLE CONNECTION NXB2000
5	4	86-01-1094	COVER SHEET EGG BELT RETURN TABLE CONNECTION NXB2000
6	2	86-01-1097	COVERING CAP EGG CHANNEL SST F/PASSAGE 72" PLST BELT NXB2000
7	40	99-10-1271	Blind rivet alu/steel flat round head 4.8x10 / 4.0-6.0mm
8	12	99-10-3862	Mushroom head square neck bolt M 8x 20 DIN 603 4.6 galv
9	12	99-10-1040	Hexagon nut M 8 galv DIN934-8
10	12	99-10-1100	M6x12 Hex head cap screw
11	12	99-20-1043	M6 Hex nut nylock

Step 21 EggTrax Connection (If Supplied)



Item	Part No.	Description
1	86-01-1091	EGG CHANNEL TABLE CONNECTION 72" NXB2000 PLASTIC BELT
2	86-01-1093	EGG BELT RETURN GUIDE TABLE CONNECTION NXB2000
3	86-01-1094	COVER SHEET EGG BELT RETURN TABLE CONNECTION NXB2000
4	86-01-2313	ANGLE EGGTRAX 350 CONNECTION
5	99-10-1271	Blind rivet alu/steel flat round head 4.8x10 / 4.0-6.0mm
6	86-01-2314	CONNECTION EGGTRAX TO PASSAGEWAY
7	99-10-1067	Hexagon head screw M 6x 16 DIN 933 8.8 galv
8	99-10-1045	Hexagon nut M 6 galv DIN934-8
9	99-10-1046	Hexagon head screw M 8x 16 DIN 933 8.8 galv
10	99-10-1040	Hexagon nut M 8 galv DIN934-8
11	86-01-1097	COVERING CAP EGG CHANNEL SST F/PASSAGE 72" PLST BELT NXB2000

22 Passageways



Passageway Part Number	18 - 96 inch Passageway Descriptions
86-01-4120	PASSAGE 18" NXB-3 20xx W/SST COVERS
86-01-4121	PASSAGE 24" NXB-3 20xx W/SST COVERS
86-01-4122	PASSAGE 30" NXB-3 20xx W/SST COVERS
86-01-4123	PASSAGE 36" NXB-3 20xx W/SST COVERS
86-01-4124	PASSAGE 48" NXB-3 20xx W/SST COVERS
86-01-4125	PASSAGE 60" NXB-3 20xx W/SST COVERS
86-01-4126	PASSAGE 72" NXB-3 20xx W/SST COVERS

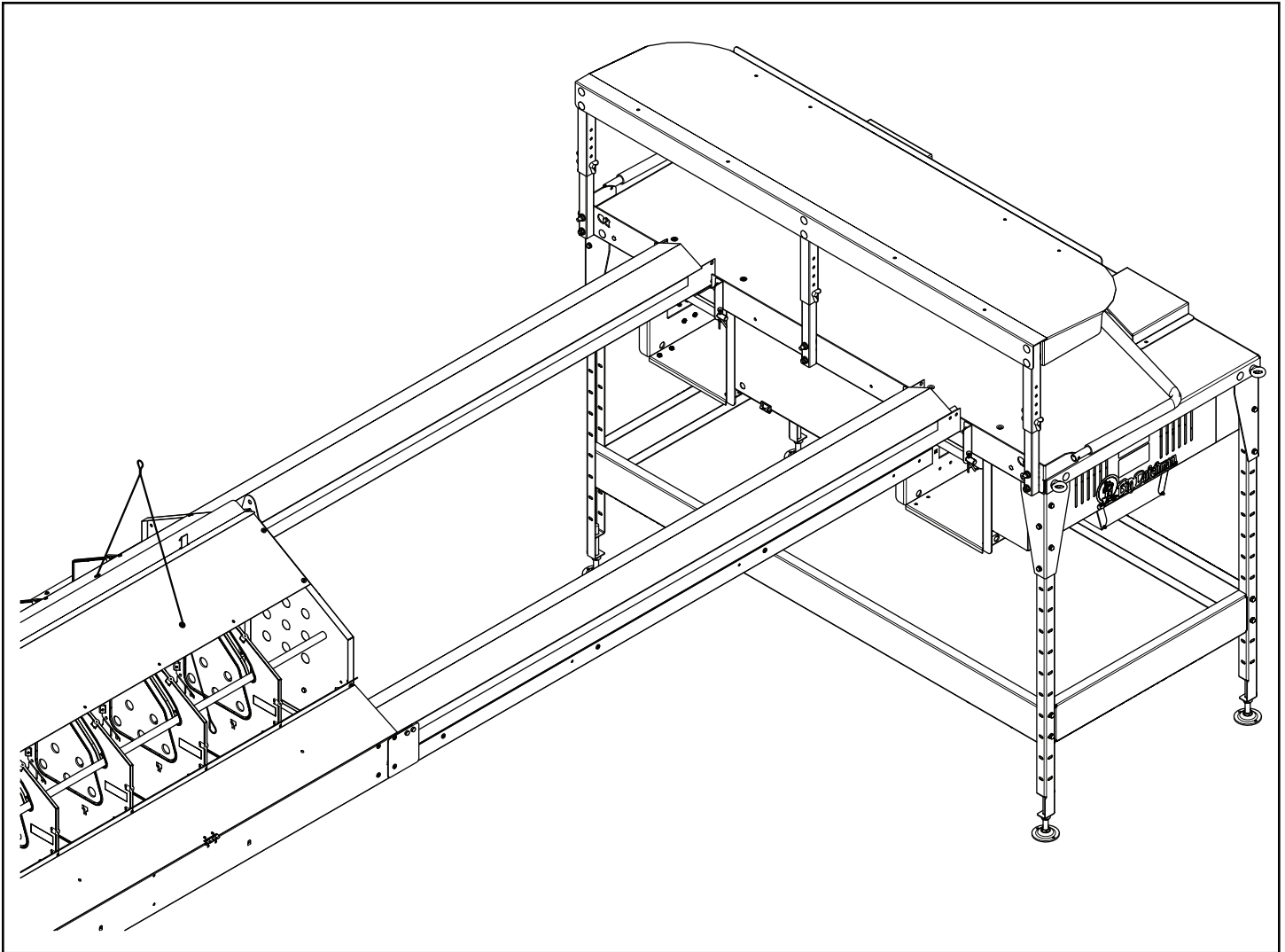
NOTE: 18 - 96 inch Passageway Part Numbers are listed in the table below:

22.1 Passageways

Item	Part No.	Description
*1	86-01-4080	COVER EGG CHANNEL SST PASSAGE 18" NXB-3 20xx
	86-01-4129	COVER EGG CHANNEL SST PASSAGE 24 NXB-3 20xx
	86-01-4132	COVER EGG CHANNEL SST PASSAGE 30 NXB-3 20xx
	86-01-4135	COVER EGG CHANNEL SST PASSAGE 36 NXB-3 20xx
	86-01-4138	COVER EGG CHANNEL SST PASSAGE 48 NXB-3 20xx
	86-01-4141	COVER EGG CHANNEL SST PASSAGE 60 NXB-3 20xx
	86-01-4144	COVER EGG CHANNEL SST PASSAGE 72 NXB-3 20xx
*2	86-01-1676	WIRE MESH 5 INCH EGG BELT 18 NXB2000P
	86-01-1677	WIRE MESH 5 INCH EGG BELT 24 NXB2000P
	86-01-1678	WIRE MESH 5 INCH EGG BELT 30 NXB2000P
	86-01-1679	WIRE MESH 5 INCH EGG BELT 36 NXB2000P
	86-01-1680	WIRE MESH 5 INCH EGG BELT 48 NXB2000P
	86-01-1708	WIRE MESH 5 INCH EGG BELT 60 NXB2000P
	86-01-1709	WIRE MESH 5 INCH EGG BELT 72 NXB2000P
*3	86-01-4078	PASSAGE SIDE A - 18" NXB-3 20xx
	86-01-4127	PASSAGE SIDE A - 24" NXB-3 20xx
	86-01-4130	PASSAGE SIDE A - 30" NXB-3 20xx
	86-01-4133	PASSAGE SIDE A - 36" NXB-3 20xx
	86-01-4136	PASSAGE SIDE A - 48" NXB-3 20xx
	86-01-4139	PASSAGE SIDE A - 60" NXB-3 20xx
	86-01-4142	PASSAGE SIDE A - 72" NXB-3 20xx
*4	86-01-4079	PASSAGE SIDE B - 18" NXB-3 20xx
	86-01-4128	PASSAGE SIDE B - 24" NXB-3 20xx
	86-01-4131	PASSAGE SIDE B - 30" NXB-3 20xx
	86-01-4134	PASSAGE SIDE B - 36" NXB-3 20xx
	86-01-4137	PASSAGE SIDE B - 48" NXB-3 20xx
	86-01-4140	PASSAGE SIDE B - 60" NXB-3 20xx
	86-01-4139	PASSAGE SIDE A - 60" NXB-3 20xx
	86-01-4143	PASSAGE SIDE B - 72" NXB-3 20xx
5	86-01-1098	EGG BELT RETURN BRACKET PASSAGEWAY NXB2000
6	99-10-1271	Blind rivet alu/steel flat round head 4.8x10 / 4.0-6.0mm
7	99-10-1100	M6x12 Hex Head GALV
8	99-20-1043	M6 Hex Nylock

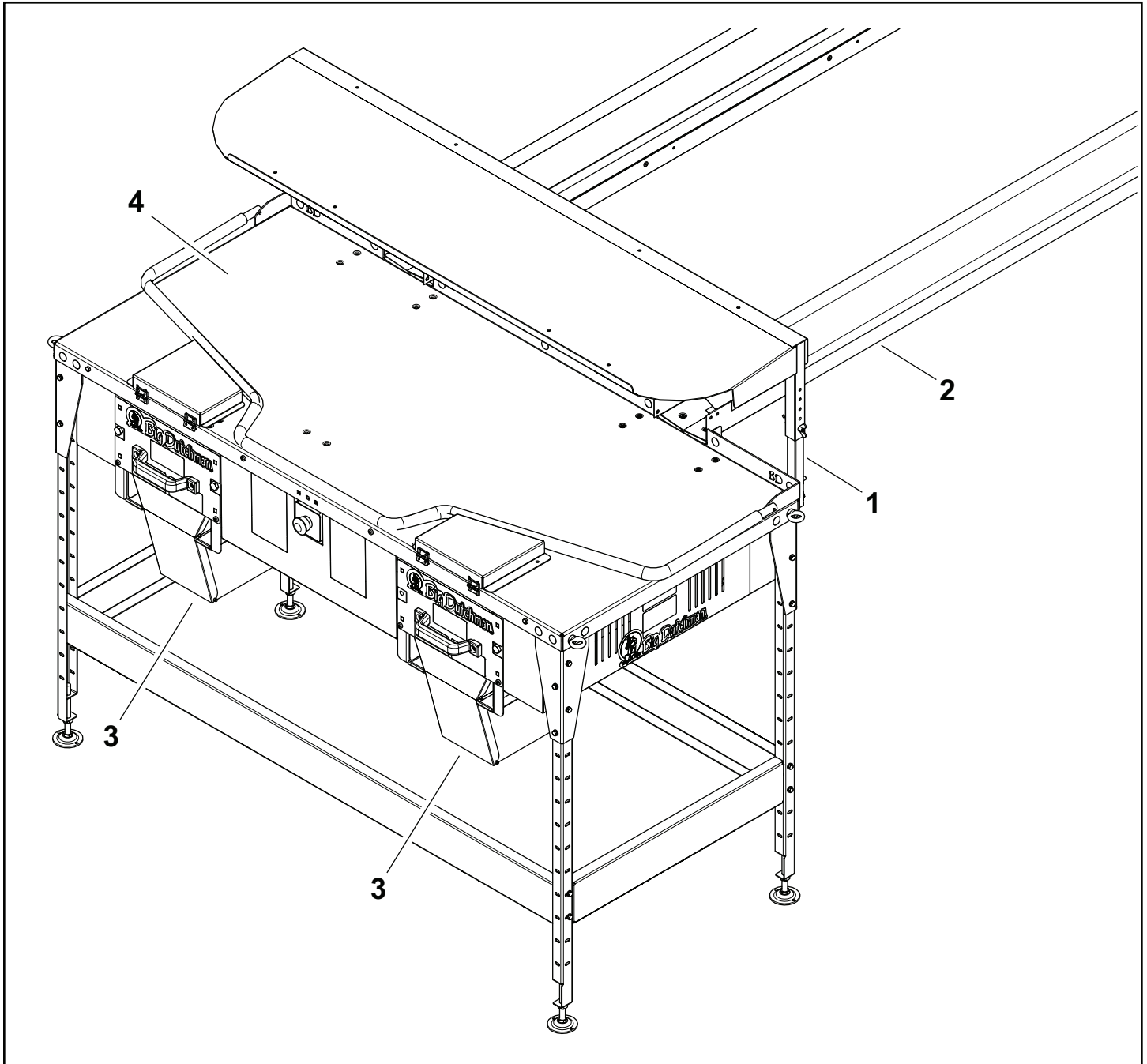
Step 23 Table Drive Unit

Refer to **Big Dutchman** Instruction Manual No. 86-01-0599 for replacement parts for the Table Drive unit.



Chapter 22. Table Drive Unit Assembly.

Pos.	Part No.	Description
1	86-00-1568	TABLE DRIVE UNIT NXB II-US SB,F/5" (WOVEN OR PLASTIC) BELT, W/WIRING
	86-00-5085	MTR,0,55kW,3PH,60HZ,56C FR, #114213 LESS BASE,208-230/460V
	86-00-9624	AC VAR SPD DR, GS2, 1HP, INPUT 1PH/3PH, 200-240VAC, 50/60HZ,
	86-00-9672	WIRE HARNESS, TABLE-DRIVE UNIT NXB EGGSORT 2X5"
2	86-01-1091	EGG CHANNEL TABLE CONNECTION 72" NXB2000 PLASTIC BELT
3	86-00-9834	LITTER DROP BOX, BLACK, F/NXB COLLECTOR TABLE
4	86-01-0734	COLLECTION MAT SET (LH,CENTER,RH) F/NXB2000 II-US TABLE DRI

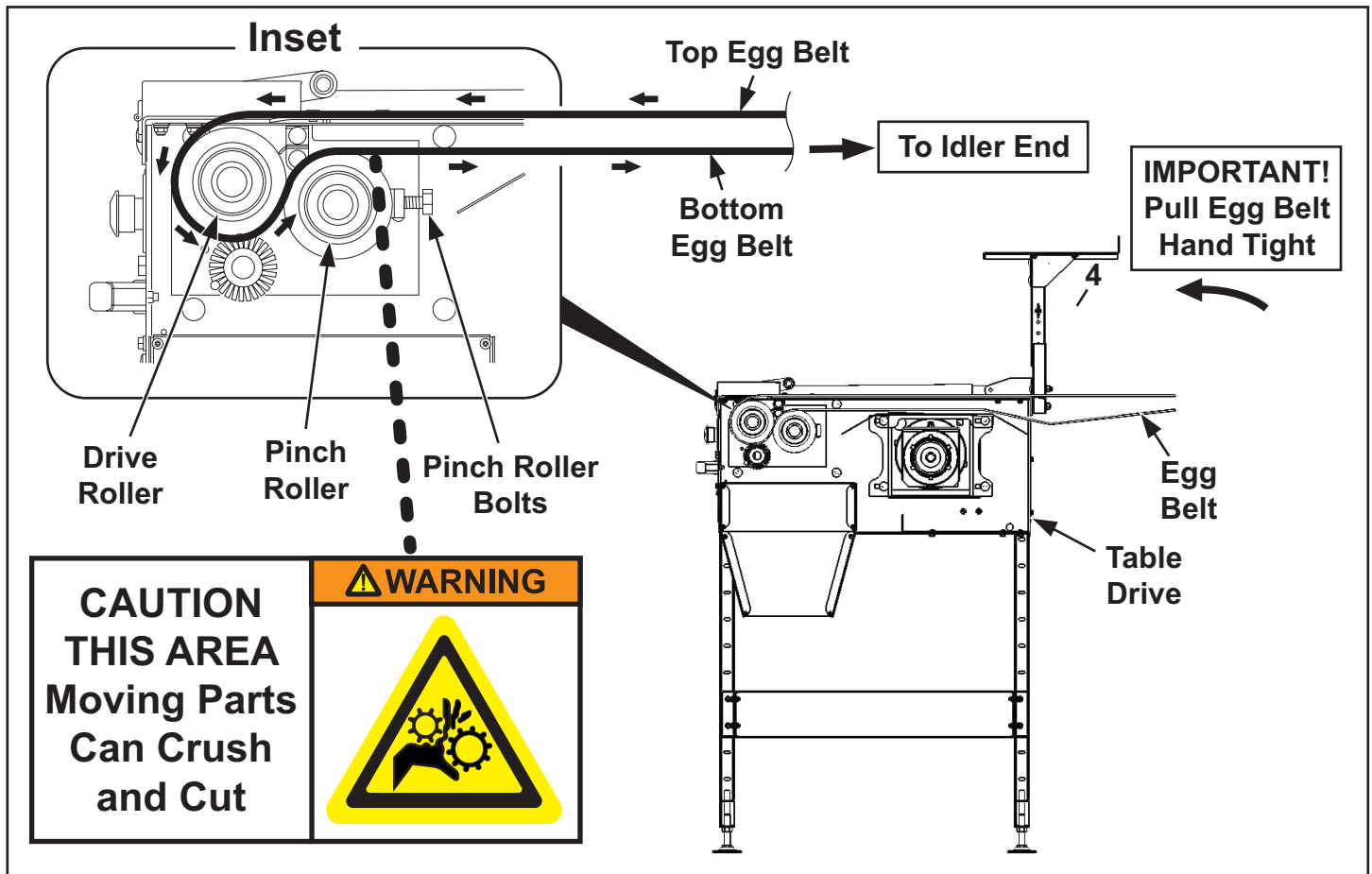


Chapter 21. Table Drive Unit Assembly (Details).

- To connect the table drive with the passage, align the table drive with the system.
- Adjust the length of the covering cap as required, i.e. shorten it if necessary.

Step 24 Installing the Egg Belt

24.1 Threading in the egg belt



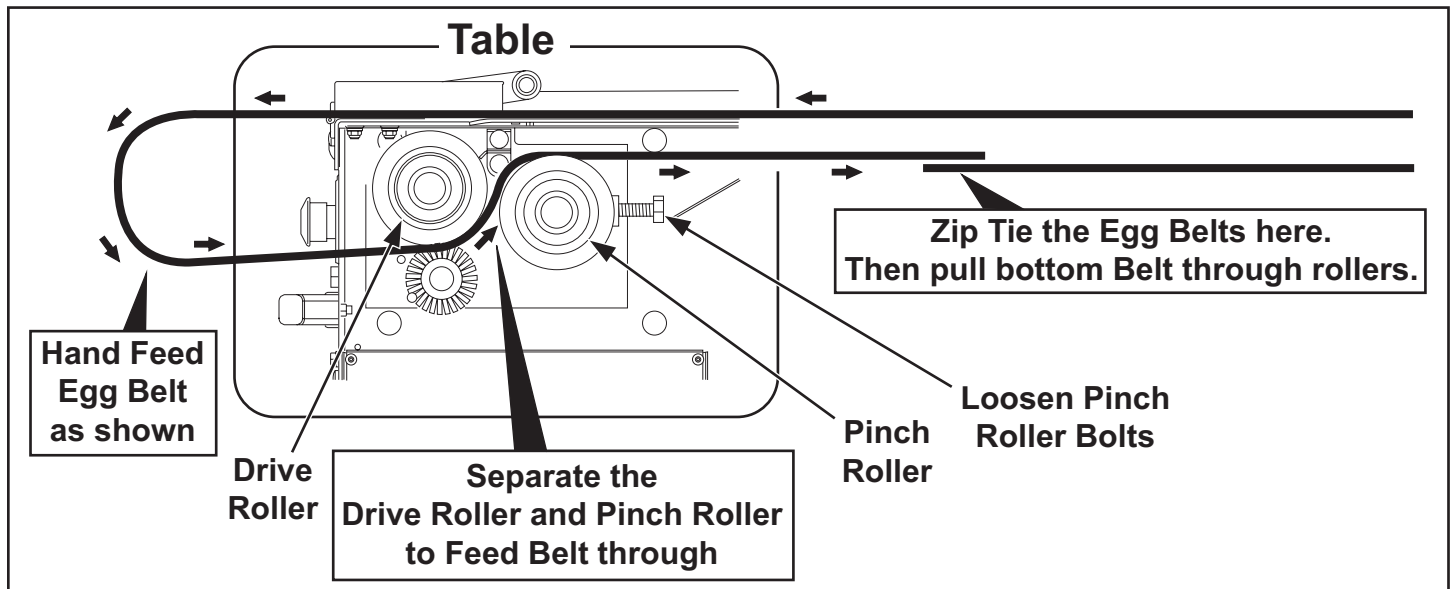
Chapter 23.1. Installing the Egg Belt Side View.

Pinch Roller Bolts - Troubleshooting

- The purpose for the pinch roller is to assist in pulling the egg belt. The pinch roller must be pushed against the drive roller to function. Check and tighten pinch roller bolts when servicing table drive.
- If your table is running and the belt is not moving or it is slipping around the drive roller **making the belt tighter by adjusting the idler end will not help.**
- **The likely cause of a poor running belt is the pinch roller not being correctly adjusted.**
- **The egg belt doesn't need to be pulled extremely tight and stretched in order to run correctly.** Doing this will likely cause damage to your nest and put the egg belt under unnecessary stress causing premature failure.

Directions for installing the PP (polypropylene) plastic egg belt.

- STEP 1** Run the plastic belt through all the nests and idler. The belt is tightened and welded at the table drive end. **DO NOT** stretch the belt! It only needs to have the slack pulled out. The belt can be made tighter afterwards by adjusting at the idler end.
- STEP 2** Make sure the idler roller end is all the way forward, toward the nest, before tightening the egg belt. This gives you maximum adjustment if you need to tighten the belt.
- STEP 3** Loosen and remove the two pinch roller bolts (shown below). Push pinch roller away from the drive roller. **This will allow you to push the belt between the drive and pinch roller without running the electric motor and running the risk of injury.**



- STEP 4:** The belt needs to be pushed in from the front of the table between the cleaning brush and drive roller and then you can push the belt between the drive and pinch roller. Keep feeding the belt until it comes out the backside of the table. **NOTE: It is only possible to push the belt through by hand from the front side of the table to get through the drive and pinch roller.**
- STEP 5:** Zip tie the belt together (see above drawing). **Now pull the belt on the bottom through the drive and pinch rollers.** You should now have both sides of the belt on the front side of the table. Cut off zip ties and finish running belt around drive rollers as shown on the previous page
- STEP 6** Pull the belt hand tight and then clamp top belt to passageway or table top. Use C-clamps or similar clamping method with a 2x4 to protect the belt to hold the top belt in place.
- STEP 7** Now run the drive in reverse to tighten the belt. **IMPORTANT**, you should only need to pull 3 to 6 inches. This is just enough to pull all the slack out of the belt.
- STEP 6** Weld the belt as shown in the next section on the table top.

Connecting the egg belt

Overlap Belt:

Overlapping of the ends = approximately 2" [5mm]. Line up the holes as shown on the facing page.

Weld the Belt

Weld the belt using an Ultrasonic Welder, as shown.



Egg belts made of other materials are joined according to the manufacturer's application.

23.2 Release the belts between flocks - TO PREVENT DAMAGE!



If you move birds out in the winter and the house temperature gets below 59° F (15 °C), completely release the manure belts!

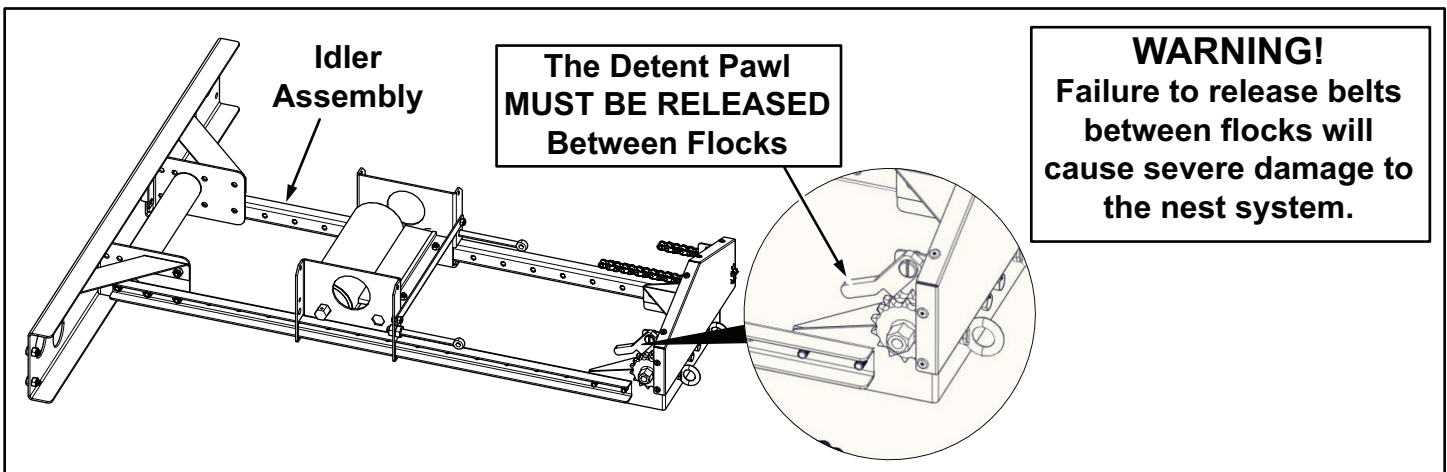


WARNING!

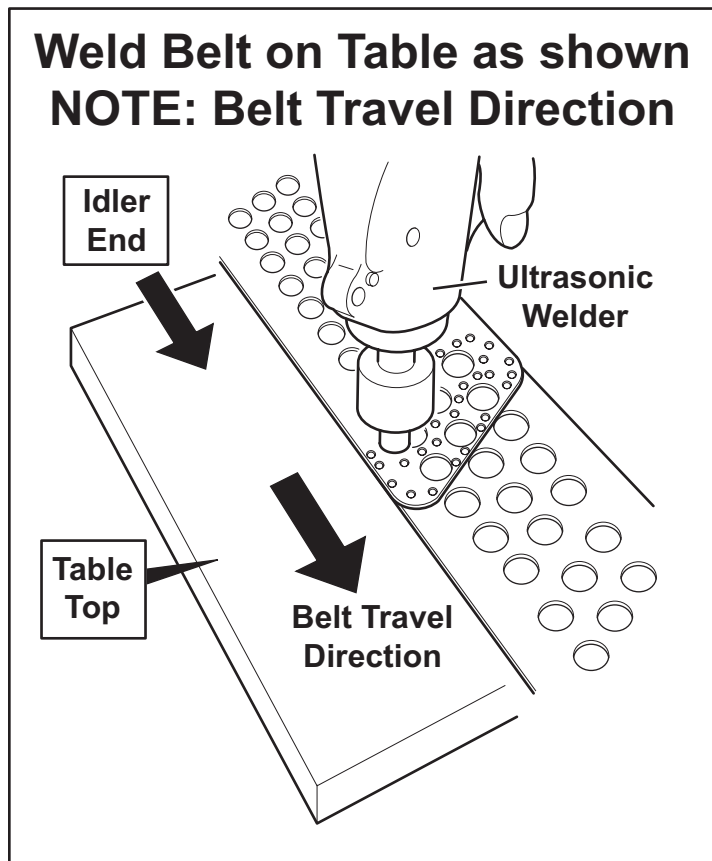
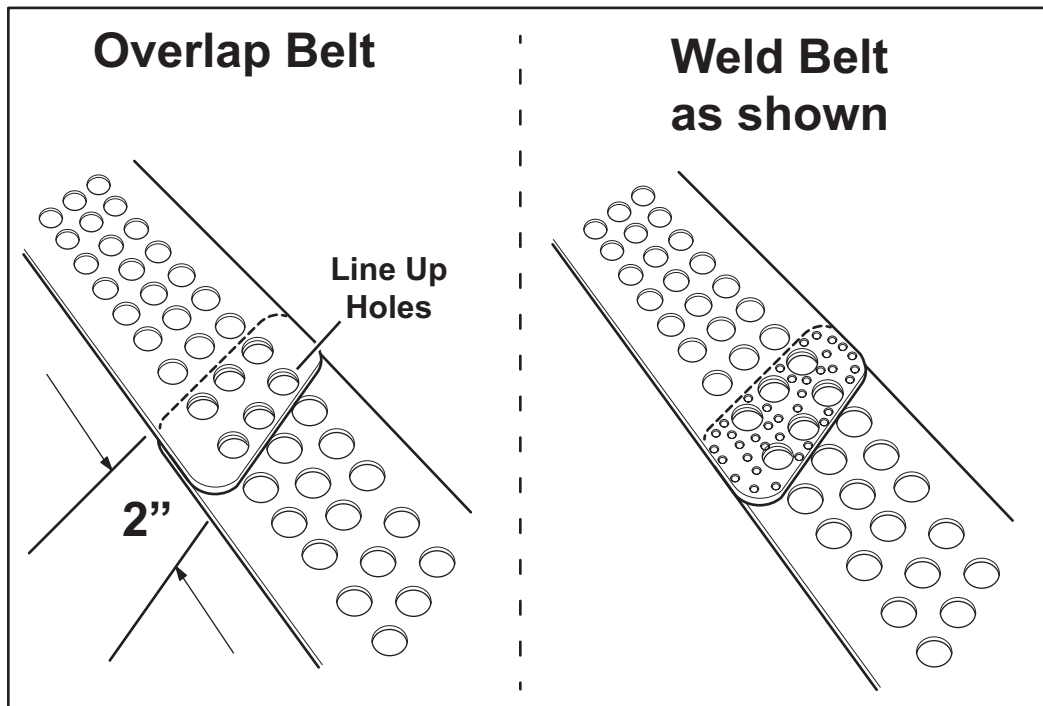
Failure to release the belts will cause extensive damage to the idler end of the system and the nests.

When the house temperature lowers, between flocks, the belts will shrink several inches or more.

Release the pressure on the belts at the idler end whenever the house is between flocks.



Connecting the egg belt - STEPS



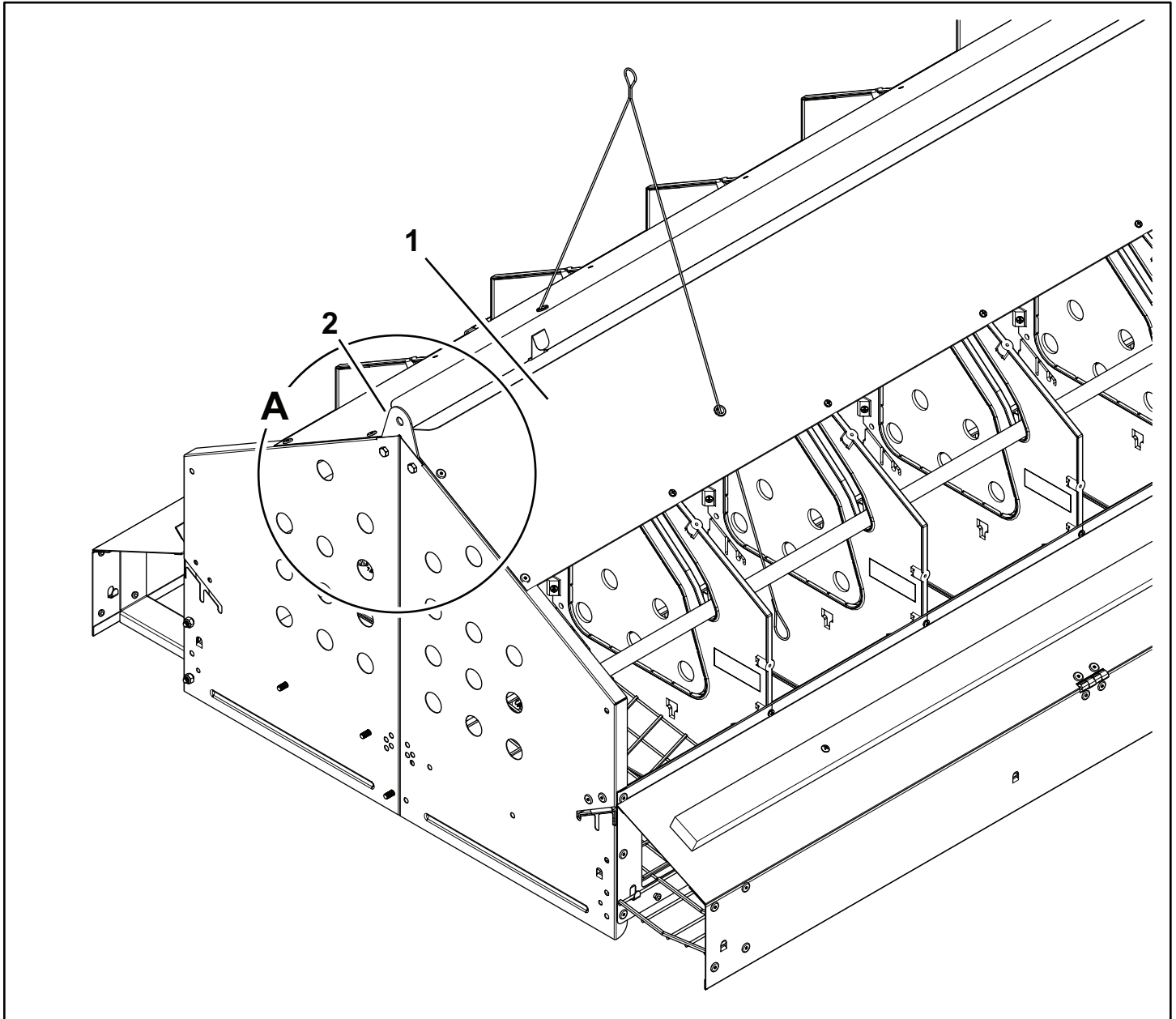
Chapter 23.2. Connecting the Egg Belts (Detail).

25 Fixing at the Suspension System

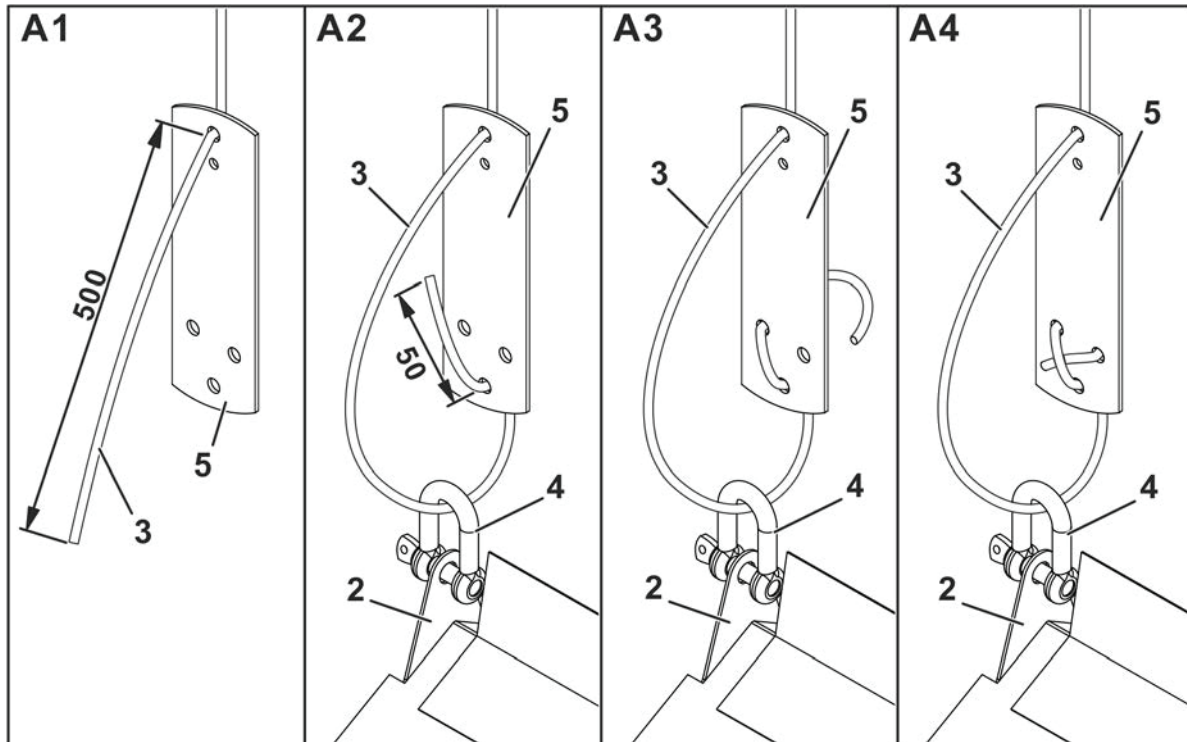


Please observe the Big Dutchman manual "Suspension systems" for the assembly of the main traction rope and the winch.

25.1 Fixing the Ropes at the Nest



Chapter 24.1. Fixing the Ropes at the Nest Assembly.

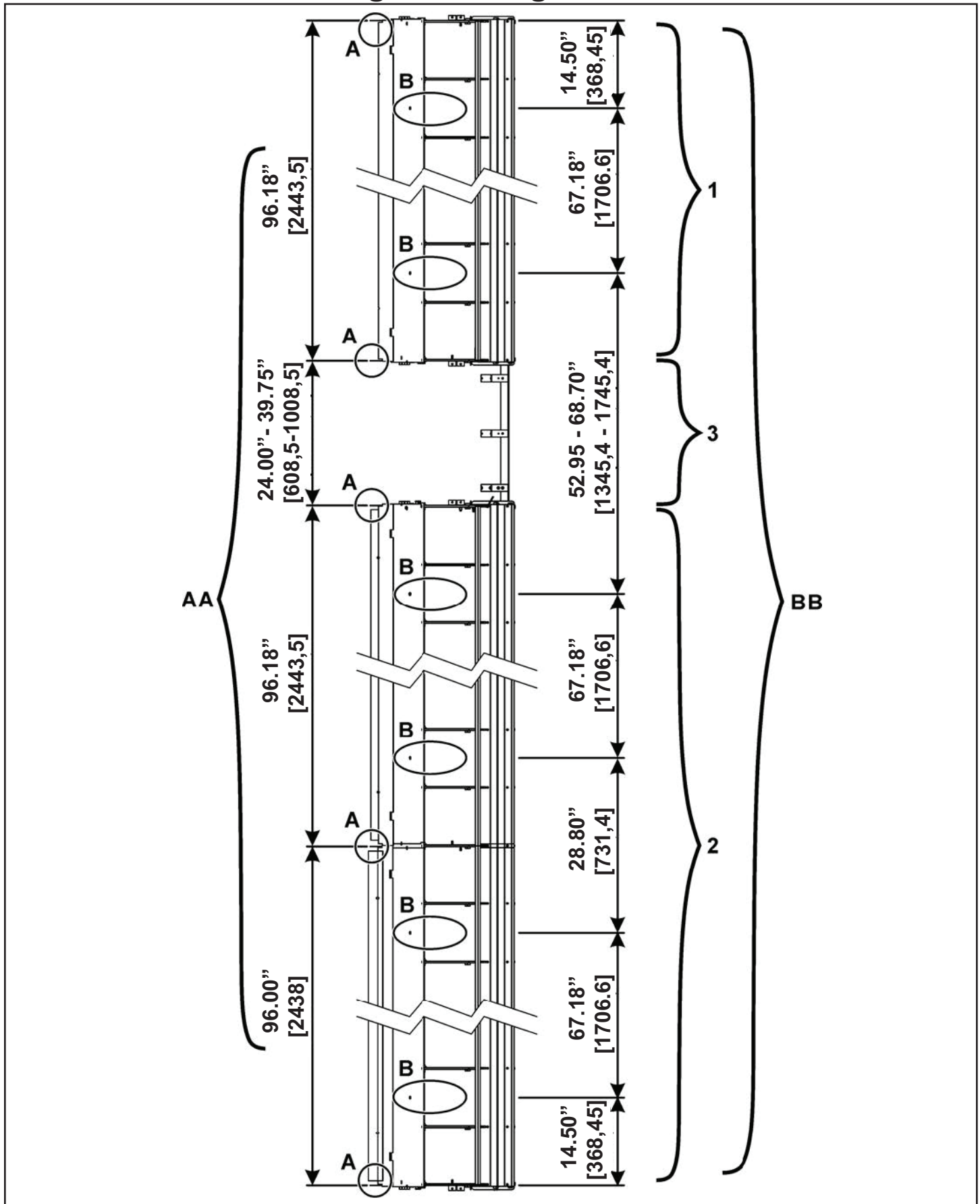


86-01-0512-72

Chapter 24.1. Connecting the Cable Locks (Details).

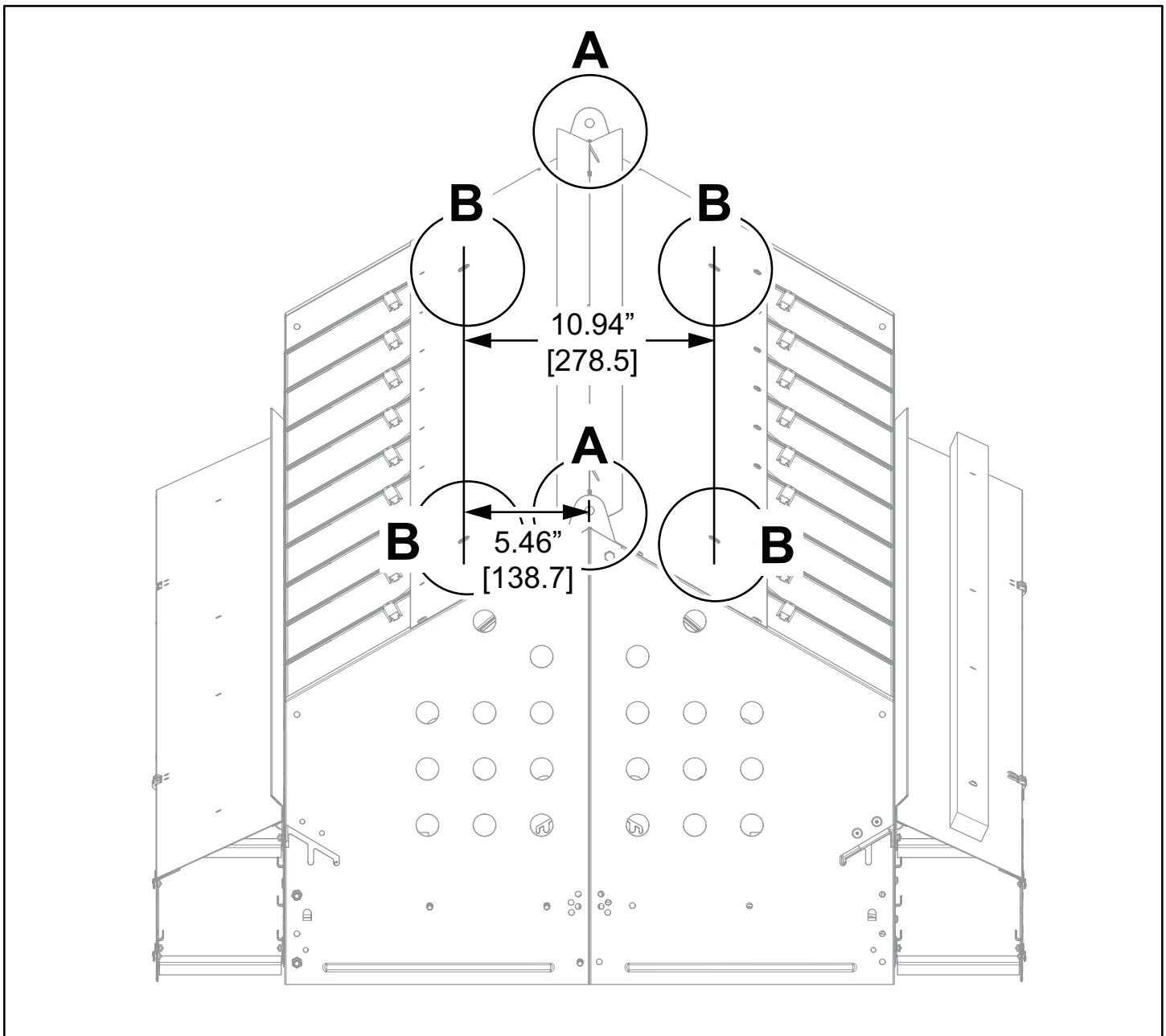
Pos.	Part No.	Description
1	86-01-4067	Cover Short NXB-3 2010
	86-01-4066	Cover Long NXB-3 2010
2	86-01-4073	Winch Bracket NXB-3 20xx
3	83-03-3797	Traction rope nest blockere for NXB
4	99-50-1166	Shackle 5/16 galv
5	11-00-3002	Cable lock AM

25.2 Sizes for the Ceiling Fastening



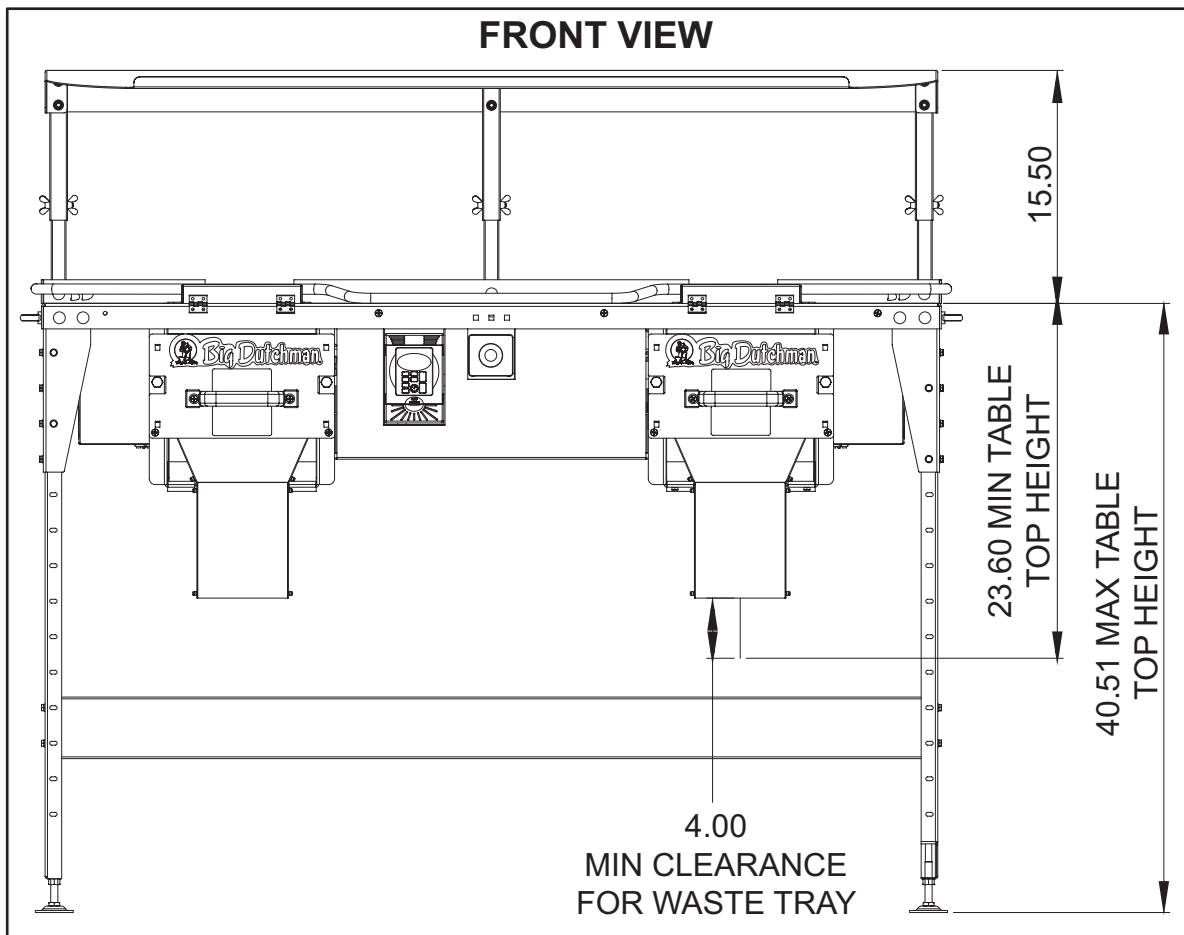
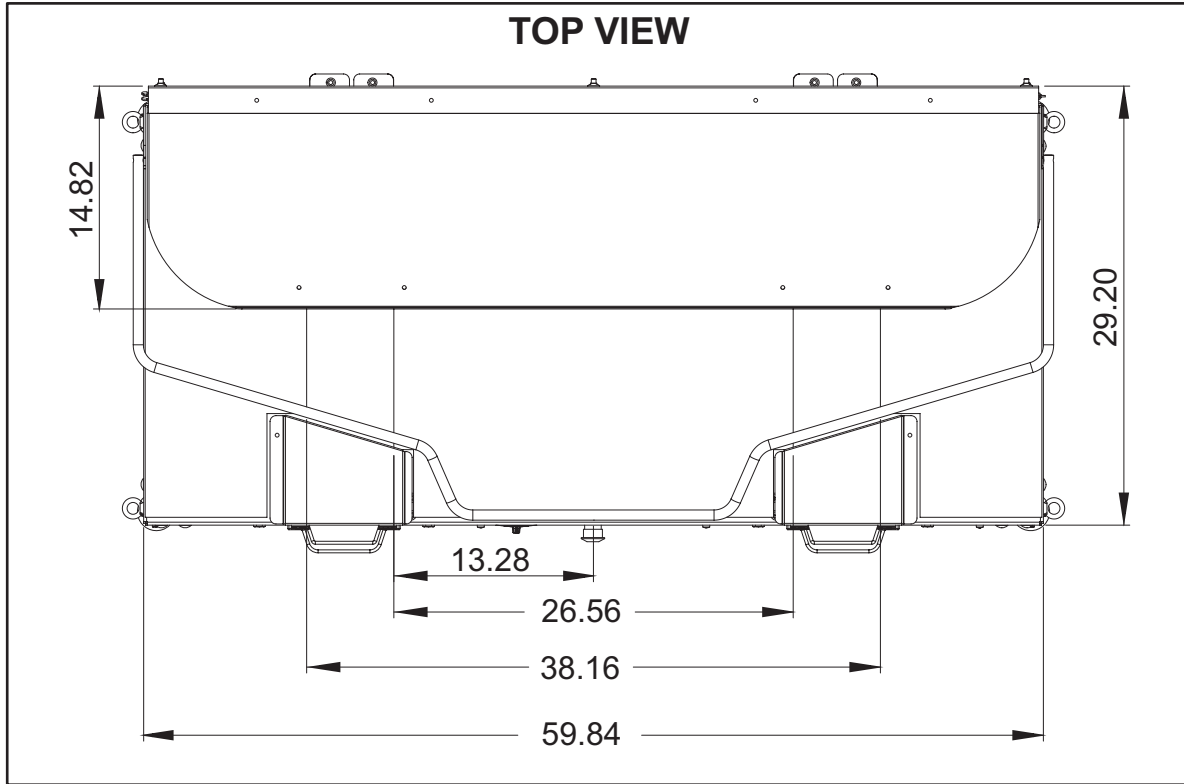
Chapter 24.2. Sizes for the Ceiling Fastening Dimensions (Side View Reference).

Pos.	Part No.	Description
1		Nest as single section
2		Nest as double section
3		Passage (18, 24, 30, 36, 48, 60 and 72). See CH. 2.2 Passages.
A		Suspension of the nest row at the gable plate
AA		Sizes for the suspension of the new row
B		Suspension of the locking tube for nest
BB		Sizes for the suspension of the locking tube



Chapter 24.2. Sizes for the Ceiling Fastening Dimensions (Top View Reference).

26 NXB III Side Belt Table Top Dimensions - Top View and Front View



27 Notes for Nest Management

27.1 Operation of the table drive

The egg belts in the system can be run by means of a speed control unit with such an operating speed that the eggs can always be comfortably placed in the egg packs. At the end of the day, the Various Speed control can increase the speed so that the remaining eggs can be collected more rapidly.

It is recommended to run the egg belt, controlled by means of a timer, before the hens start laying. For this, the egg belt runs a complete circuit every morning to remove rejects, dust or manure that might be lying on the belts. Make sure that the last egg collection takes place late in the evening so that the egg gathering table can hold all remaining eggs the next morning during the cleaning-run.

27.2 Further suggestions to further reduce the number of floor eggs

The most important measure for avoiding mislaid eggs is constant gathering of eggs and the resulting agitation in the house which in turn reduces the occurrence of further mislaid eggs.

Hence, it is very important that the persons looking after the hens walk around in the scratching areas.



This should be done at least once per hour in the morning starting at the point when the hens start laying and every 2 hours in the afternoon. On the whole 6 to 7 times a day.

Always walk along the outside walls so that the birds are driven in the direction of the laying nests. This is particularly important in the morning during the main laying phase. Collect floor eggs and place them in the centre of the next laying nest. This will further encourage the hens to access the nests. Always walk up and down the passages so that the birds flee from you once to the end of the house and once to the front end.

Collect floor eggs at least 4 to 5 times a day during the entire laying-period and at the beginning of the laying period as early as possible in the morning.

The recommended house temperature is 18°C (65°F). A warm house without draught is important to reduce the share of floor eggs.

Hens will avoid certain areas of the house if ventilated inappropriately. Birds like fresh house air. Check the ventilation system regularly and seek immediate repair or adjustment of ventilation if required.

27.3 Cleanliness of the nest system

Cleanliness is the key to a productive and smoothly operating nest and egg collection system. Dirty nest inserts and egg-belts increase the number of dirty eggs and lead to spreading diseases. Dust and rejects in the egg collection system can also have a negative influence on egg quality and might also damage the system if they are not removed on a regular basis. It is important to draw up a cleaning programme and to insist on it being carried out every day.

The egg collecting system has to be thoroughly cleaned every day after the eggs have been gathered. **The following groups have to be cleaned every day:**

the brush in the longitudinal belt drive above the dirt collecting box

the egg belt idler unit

Empty the dirt collecting box and clean it with water and detergents

Clean the egg gathering table and other surfaces with water and detergent.



Do not use any flammable chemicals for cleaning!

Carry out the following cleaning and maintenance work for the egg collecting system every week

Clean the egg belt guide at the longitudinal drive.

Vacuum or blow motor and drive units to prevent accumulation of dust and feathers on the motor ventilation system.

Keep the chain well-lubricated with light oil.

Check the egg belt for dirt accumulation at the point where it is running back into the first nest.

INDEX

Article No.....	Page No.
00-00-1186	33
00-00-1187	33
00-00-1367	33
11-00-3002	49
39-00-4030	35
39-00-4112	35
39-00-4115	35
39-00-4116	35
65-13-4277	9
83-03-1714	35
83-03-3797	11,26,49
83-04-8934	11,29
83-05-0715	11,29
83-05-3092	11,26
83-05-5578	33
83-07-7973	11,24
83-13-7506	11,26
83-14-2776	11,23
83-16-7123	11,23
86-00-1568	9,42
86-00-5085	42
86-00-9624	42
86-00-9672	42
86-00-9721	11,23
86-00-9834	42
86-01-0676	11,23
86-01-0734	42
86-01-1015	11,16
86-01-1073	33
86-01-1074	35
86-01-1086	33
86-01-1091	37,42
86-01-1092	37
86-01-1093	37
86-01-1094	37
86-01-1097	37
86-01-1098	41
86-01-1675	11,28
86-01-1676	41
86-01-1677	41
86-01-1678	41

86-01-1679	41
86-01-1680	41
86-01-1683	9
86-01-1700	33
86-01-1708	41
86-01-1709	41
86-01-1713	33
86-01-1714	35
86-01-1716	33
86-01-1976	35
86-01-1992	35
86-01-2450	9
86-01-2451	9
86-01-2452	9
86-01-2609	35
86-01-2663	11,29
86-01-2672	11,27
86-01-2674	11,27
86-01-2675	11,26
86-01-3528	11,27
86-01-4037	11,13,15,17
86-01-4064	11,20,21,25
86-01-4065	11,20,21
86-01-4066	11,13,15,17,49
86-01-4067	11,16,17,49
86-01-4068	11,18
86-01-4073	11,31,49
86-01-4074	11,25
86-01-4075	8
86-01-4078	41
86-01-4079	41
86-01-4080	41
86-01-4081	33
86-01-4082	33
86-01-4083	33
86-01-4084	33
86-01-4089	11,18
86-01-4095	11,22
86-01-4096	11,23
86-01-4098	11,25
86-01-4116	37
86-01-4117	11,30

86-01-4120	9
86-01-4121	9,40
86-01-4122	9,40
86-01-4123	9,40
86-01-4124	9,40
86-01-4125	9,40
86-01-4126	9,40
86-01-4127	41
86-01-4128	41
86-01-4129	41
86-01-4130	41
86-01-4131	41
86-01-4132	41
86-01-4133	41
86-01-4134	41
86-01-4135	41
86-01-4136	41
86-01-4137	41
86-01-4138	41
86-01-4139	41
86-01-4140	41
86-01-4141	41
86-01-4142	41
86-01-4143	41
86-01-4144	41
86-01-4151	9
86-01-4152	9
86-01-4154	11,16,17
86-01-4156	11,15,17
86-01-4157	11,18
86-01-4166	11,16,17
86-01-4167	11,15,17
86-01-4168	11,18
86-01-5348	11,23
99-10-1040	33,35,37
99-10-1045	35
99-10-1046	33
99-10-1064	11,13,17,19
99-10-1067	35
99-10-1100	11,17,31,37,41
99-10-1271	11,16,18,20,21,22,25,37,41
99-10-1314	33
99-10-1428	11,15
99-10-1661	33

99-10-3862	37
99-10-3919	35
99-20-1029	35
99-20-1043	11,17,23,31,37,41
99-50-1166	49
99-50-1351	35
99-98-3896	9
99-98-3897	9

Big Dutchman, Inc. Limited Warranty

Big Dutchman, Inc. (“**Big Dutchman**”) warrants to original purchaser (“**Buyer**”) that goods manufactured solely by Big Dutchman (“**Products**”) will be free from defects in material or workmanship under normal and intended use and service for a period of one year from delivery date of the Products except that the Products shall not be defective to the extent that (i) they conform with drawings of or specifications for or a sample of goods that have been approved by Buyer; (ii) they conform with goods, testing results, dimensional layouts or manufacturing methods that have been submitted and approved by Buyer; (iii) they are damaged due to the method or length of storage by Buyer; or (iv) to the extent they conform to the specifications as changed or waived if Buyer’s representative agrees, either orally or in writing, to the change in or waiver of the specifications for any Product.

In the event of a defect in any Products constituting a breach of the warranty provided herein, Big Dutchman will at its option either (i) repair or replace such Product free of charge, or (ii) in lieu of repair or replacement, refund to Buyer the original purchase price less the reasonable value of Buyer’s use of the Products. Big Dutchman shall furnish to Buyer instructions for the disposition of the defective goods. Big Dutchman shall have the option of requiring the return of the defective goods, transportation prepaid, and proof that the goods were not used, installed or altered or subject to misuse or abuse to establish the claim. No goods shall be returned to Big Dutchman without its prior consent. The acceptance of any goods returned to Big Dutchman shall not be deemed an admission that the goods are defective or in breach of any warranty, and if Big Dutchman determines that the goods are not defective they may be returned to Buyer at Buyer’s expense. This warranty sets forth Buyer’s sole and exclusive remedies for any defect in the goods. The rights and obligation under this warranty may not be assigned or delegated to a third party by Buyer without the prior written permission of Big Dutchman. Neither Buyer nor any other person may modify or expand the warranty provided herein, waive any of the limitations, or make any different or additional warranties with respect to the Products. Any statements to the contrary are hereby rendered null and void unless expressly agreed to in writing by an authorized officer of Big Dutchman.

EXCEPT AS STATED IN ABOVE, BIG DUTCHMAN DOES NOT MAKE ANY WARRANTY AS TO THE GOODS OR SERVICES AND, IN PARTICULAR, DOES NOT MAKE ANY WARRANTY OF MERCHANTABILITY OR FITNESS FOR ANY PARTICULAR PURPOSE, AND BUYER IS SOLELY RESPONSIBLE FOR DETERMINING THE PROPER APPLICATION AND USE OF THE GOODS.

Big Dutchman makes no representation or warranty that individual animals, or any given population of animals, will utilize any of Big Dutchman’s goods in the manner for which the goods were intended or designated. Any component parts that are not manufactured by Big Dutchman, such as electrical motors and controls, are excluded from any warrant by Big Dutchman, although such parts may be covered by separate warranties of the respective manufacturers. This warranty set forth above does not apply if all components of a system are not supplied by Big Dutchman or if the goods are not purchased from and installed by an authorized distributor or company warehouse, or installed and operated in accordance with Big Dutchman’s specifications and instructions.

BIG DUTCHMAN SHALL NOT HAVE ANY TORT LIABILITY TO BUYER OR ANY OTHER PERSON WITH RESPECT TO ANY OF THE GOODS OR SERVICES AND SHALL NOT BE LIABLE FOR CONSEQUENTIAL, INCIDENTAL, SPECIAL, EXEMPLARY, INDIRECT OR PUNITIVE DAMAGES ARISING FROM ANY PRODUCT DEFECT, DELAY, NONDELIVERY, RECALL OR OTHER BREACH. BUYER SHALL NOT HAVE ANY RIGHT OF REJECTION OR OF REVOCATION OF ACCEPTANCE OF THE GOODS.



Big Dutchman.

USA

P.O. Box 1017 · Holland, MI 49422-1017 · USA

tel + 1 616 582 4000 fax + 1 616 392 6188

www.bigdutchmanusa.com · bigd@bigdutchmanusa.com